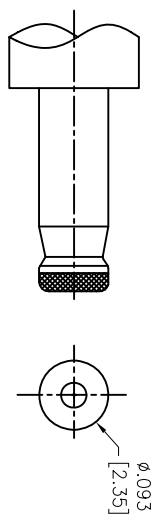
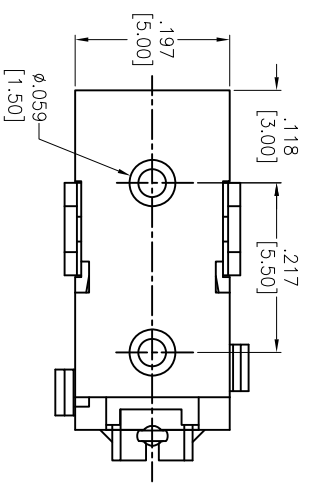
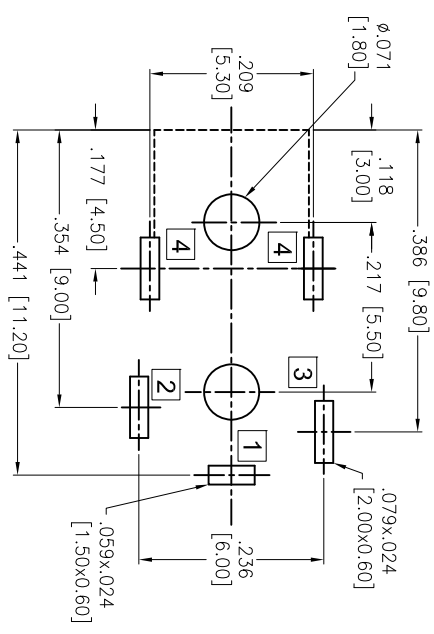
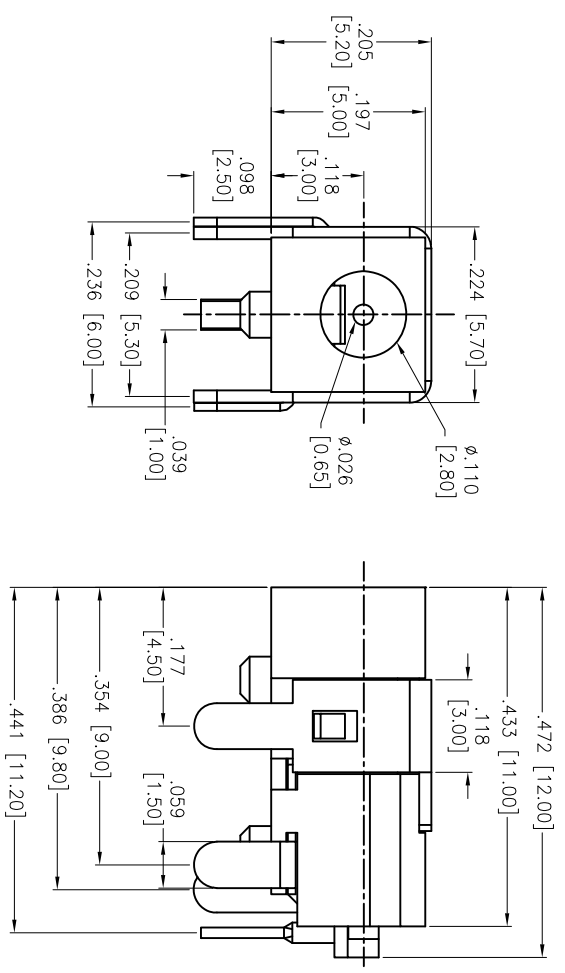
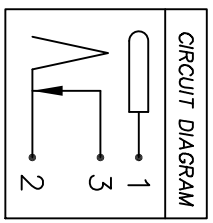


Rev	AWO #	Description	Date	Appr
-		RELEASED	12/01/11	

APPROVED: \_\_\_\_\_  
 DATE: \_\_\_\_\_ TITLE: \_\_\_\_\_



DC MATE PLUG



**SPECIFICATIONS:**  
 Material:  
 Insulator: PBT, rated UL 94V-0  
 Center Pin: Bronze  
 Contacts: Brass  
 Plating:  
 Silver over Nickel underplate

**Electrical:**  
 Operating voltage: 30 VDC max.  
 Current rating: 1 Amp max.  
 Contact resistance: 30 mohms max. initial  
 Insulation resistance: 100 Mohms min.  
 Dielectric withstanding voltage: 500 VAC for 1 minute  
 Temperature Rating:  
 Operating temperature: -20°C to +70°C

**Environmental:**  
 Lead free, RoHS compliant  
 Recommended soldering temp: 235°C for 5 sec.

**ADAM TECH**  
 909 Rahway Avenue, Union, NJ 07083  
 Phone: 908-687-5000 Fax: 908-687-5710

DC POWER JACK, 0.65mm CENTER PIN

UNLESS OTHERWISE SPECIFIED  
 ALL DIMENSIONS ARE IN INCHES [MM]  
 TOLERANCES: EXCEPT AS NOTED  
 INCHES HOLE SIZES

.X	± .10	ØXX	± .10
.XX	± .020	ØXXX	± .015
.XXX	± .015	ØXXXX	± .010

APPROVALS	DATE
DRAWN TW	12/01/11
CHECKED AY	12/01/11
APPROVED	

SIZE	PART NO.	TITLE
X	ADC-024-8-S	DC POWER JACK, 0.65mm CENTER PIN

REF:	SCALE:	SHEET	1 OF 1
S0002C	NTS	1	1

REV. -