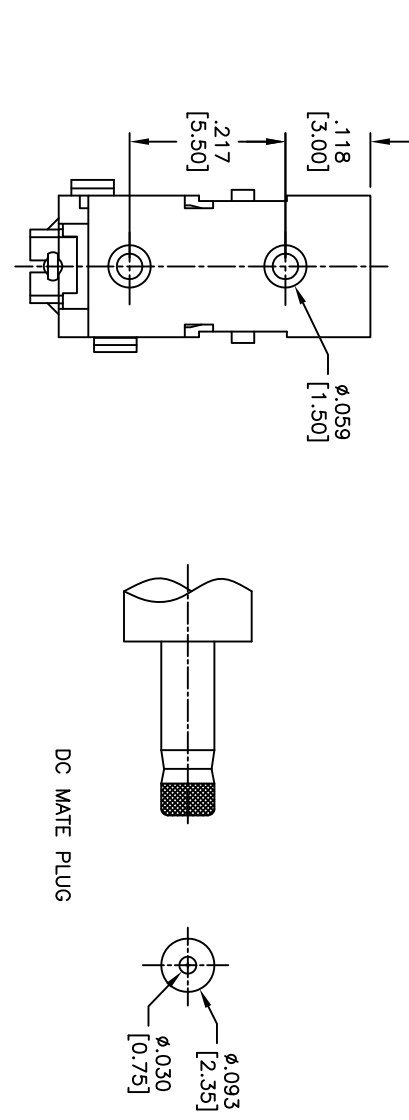
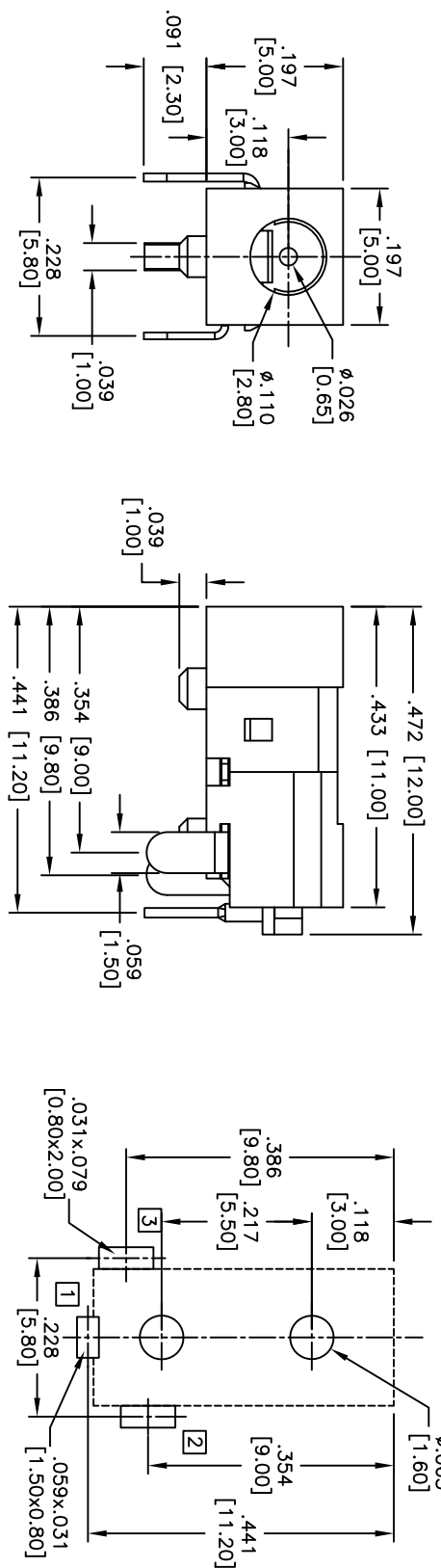


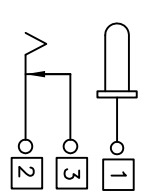
Rev	AWO #	Description	Date	Appr
-		RELEASED	7/23/10	

APPROVED: _____
 DATE: _____ TITLE: _____



DC MATE PLUG

RECOMMENDED PCB LAYOUT



SPECIFICATIONS:

Material: PBT, rated UL 94V-0
 Insulator color: Black
 Contacts: Copper Alloy, Silver plated
 Center Pin: Brass, Silver plated
 Electrical:
 Rating: DC 12V 2A
 Contact resistance: 30 mohms max.
 Insulation resistance: 100 Mohms min.
 Dielectric withstanding voltage: 500 VAC for 1 minute
 Temperature Rating:
 Operating temperature: -25°C to +70°C
 Environmental:
 Lead free, RoHS compliant



UNLESS OTHERWISE SPECIFIED ALL DIMENSIONS ARE IN INCHES [MM]	
TOLERANCES: EXCEPT AS NOTED	HOLE SIZE
.X ± .10	ØX ± .10
.XX ± .020	ØXXX ± .015
.XXX ± .015	ØXXX ± .010
APPROVALS	DATE
DRAWN	DY
CHECKED	7/23/10
APPROVED	

ADAM TECH
 909 Rahway Avenue, Union, NJ 07083
 Phone: 908-687-5000 Fax: 908-687-5710

TITLE		SIZE	PART NO.	REV.
DC POWER JACK, 0.65mm CENTER PIN		X	ADC-024-8	-
REF:	S00002C	SCALE:	NTS	SHEET 1 OF 1