

6

5

4

3

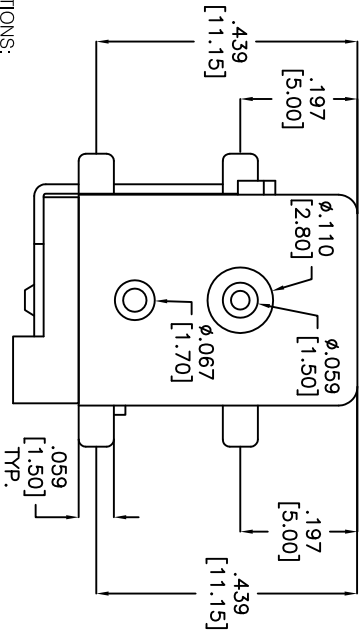
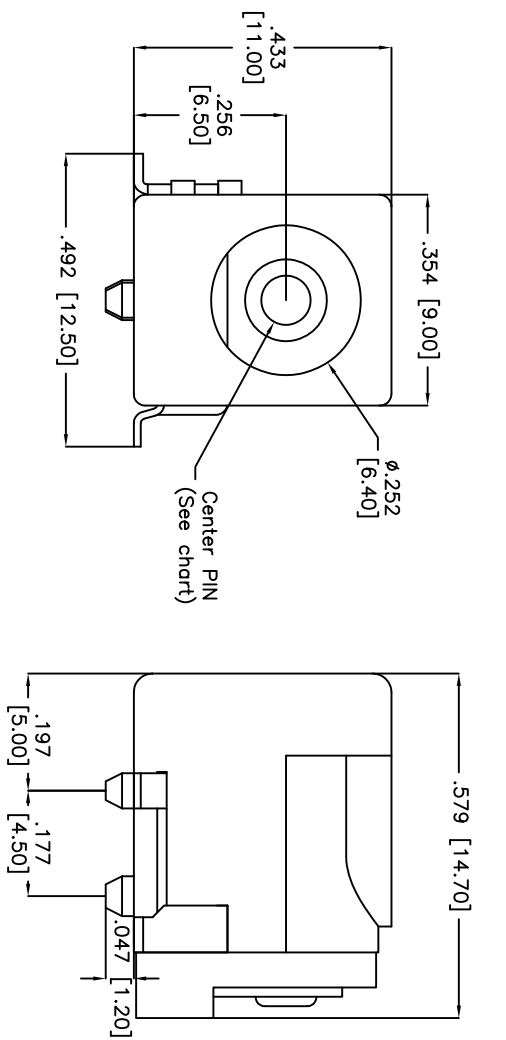
2

1

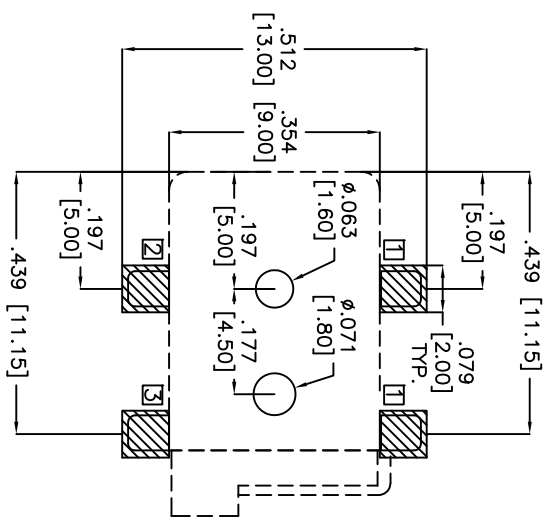
APPROVED: \_\_\_\_\_

DATE: \_\_\_\_\_ TITLE: \_\_\_\_\_

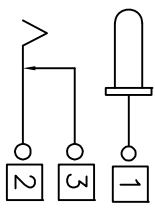
Rev	AWO #	Description	Date	Appr
-		RELEASED	04/08/05	
A		CORRECTED PIN NUMBER	10/26/06	
B		UPDATED CURRENT RATINGS	2/6/08	
C		CLARIFIED PCB DIMENSIONS	11/7/08	
D		REVISED INSULATOR MATERIAL & DIM.	2/10/09	
E		REVISED SPEC.	12/1/11	



PART NO.	CENTER PIN DIA.
ADC-028-1	$\phi$ .079 [2.00]
ADC-028-2	$\phi$ .098 [2.50]
ADC-028-5	$\phi$ .093 [2.35]



RECOMMENDED PCB LAYOUT (Copper-sided view)



CIRCUIT DIAGRAM

SPECIFICATIONS:

Material: Insulator: Nylon PA9T, Glass reinforced, rated UL 94V-0  
 Insulator color: Black  
 Center Pin: Copper Alloy, Nickel plated  
 Contacts: Copper Alloy

Plating: Tin over Copper underplate  
 Electrical: Operating voltage: 20 VDC max.  
 Current rating: 5 Amp max.  
 Contact resistance: 30 mohms max. initial  
 Insulation resistance: 100 Mohms min @ DC 250V  
 Dielectric withstanding voltage: 500 VAC for 1 minute  
 Temperature Rating: Operating temperature: -20°C to +70°C

Environmental: Lead free, RoHS compliant  
 Recommended soldering temp: 260°C for 5 sec.



UNLESS OTHERWISE SPECIFIED  
 ALL DIMENSIONS ARE INCHES [MM]  
 TOLERANCES: EXCEPT AS NOTED  
 INCHES HOLEES  
 .X ± .10  $\phi$ X ± .10  
 .XX ± .020  $\phi$ XXX ± .015  
 .XXX ± .015  $\phi$ XXX ± .010

# ADAM TECH

909 Railway Avenue, Union, NJ 07083  
 Phone: 908-687-5000 Fax: 908-687-5710

TITLE: DC POWER JACK, 2.00mm, 2.50mm, 2.35mm CENTER PIN

DRAWN	SS	DATE	4/08/05
CHECKED			
APPROVED			
SIZE	PART NO.	REV.	
X	ADC-028-X	E	
REF:	S0002C	SCALE:	NTS
		SHEET	1 OF 1

6

5

4

3

2

1