

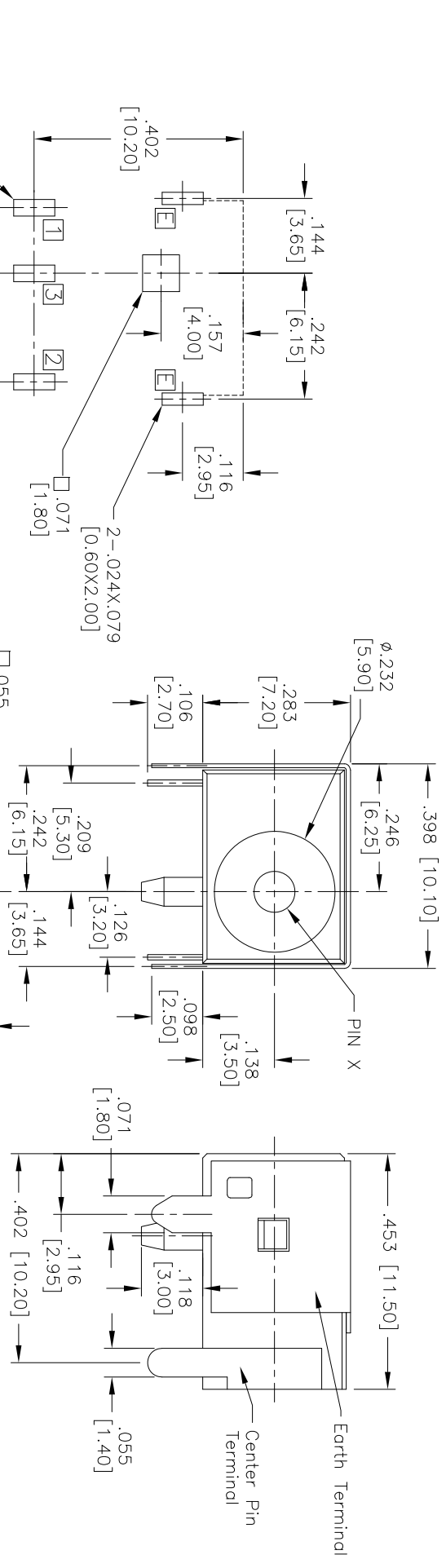
6 5 4 3 2 1

APPROVED: _____	TITLE: _____		
DATE: _____			

Rev	AWO #	Description	Date	Appr
-		RELEASED	5/04/09	
A		ADDED PART NO.	2/18/11	
B		REDRAWN	8/1/14	AY/MW
C		REVISED SPEC.	7/6/15	AY/MY

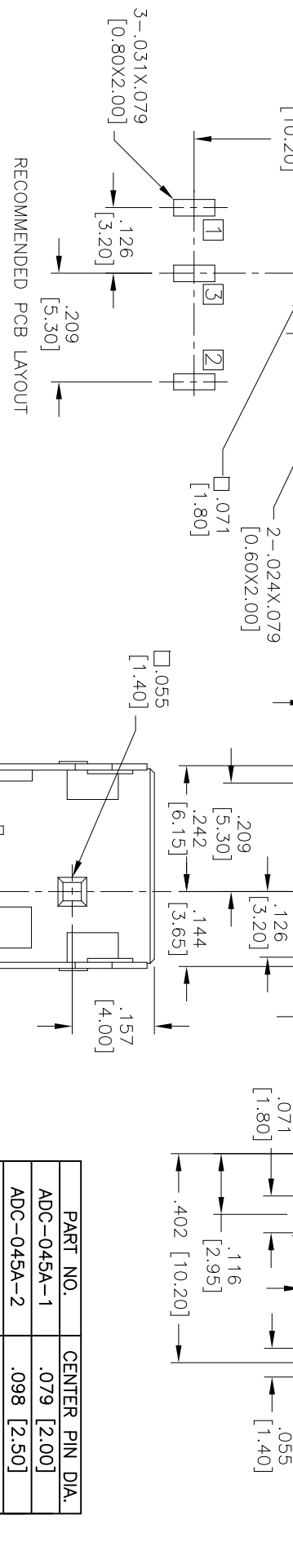
D

D



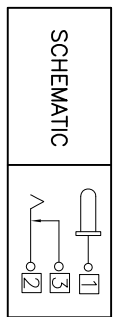
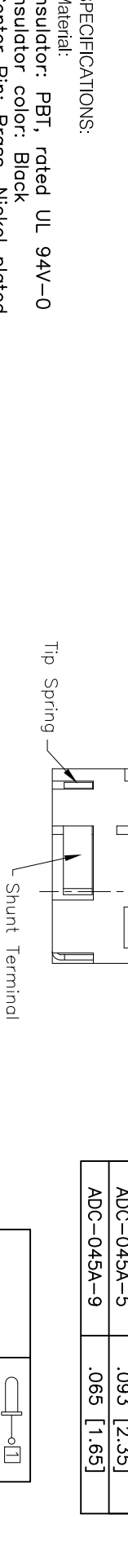
C

C



B

B



PART NO.	CENTER PIN DIA.
ADC-045A-1	.079 [2.00]
ADC-045A-2	.098 [2.50]
ADC-045A-5	.093 [2.35]
ADC-045A-9	.065 [1.65]

SPECIFICATIONS:

Material: Insulator: PBT, rated UL 94V-0

Insulator color: Black

Center Pin: Brass, Nickel plated

Center Pin Terminal: Brass, Silver plated

Earth Terminal: Brass, Nickel plated

Shunt Terminal: Brass, Silver plated

Tip Spring: Phosphor Bronze, Silver plated

Electrical:

- Operating voltage: 30 VDC max.
- Current rating: 0.5 Amp max.
- Contact resistance: 30 mohms max.
- Insulation resistance: 100 Mohms min.
- Dielectric withstanding voltage: 500 VAC for 1 minute

Temperature Rating:

- Operating temperature: -20°C to +70°C

Environmental:

- Lead free, RoHS compliant

A

A

UNLESS OTHERWISE SPECIFIED ALL DIMENSIONS ARE INCHES [MM] TOLERANCES: EXCEPT AS NOTED INCHES		HOLE DIA. \pm .10	
X .10		\pm .10	
.XX .020		\pm .015	
XXX .015		\pm .010	
APPROVALS		DATE	
DRAWN	DY	5/04/09	
CHECKED			
APPROVED			

ADAM TECH
909 Railway Avenue, Union, NJ 07083
Phone: 908-687-5000 Fax: 908-687-5710

DC POWER JACK

SIZE	PART NO.	REV.
X	ADC-045A-X	C
REF: S00002C	SCALE: NTS	SHEET 1 OF 1

6

5

4

3

2

1

