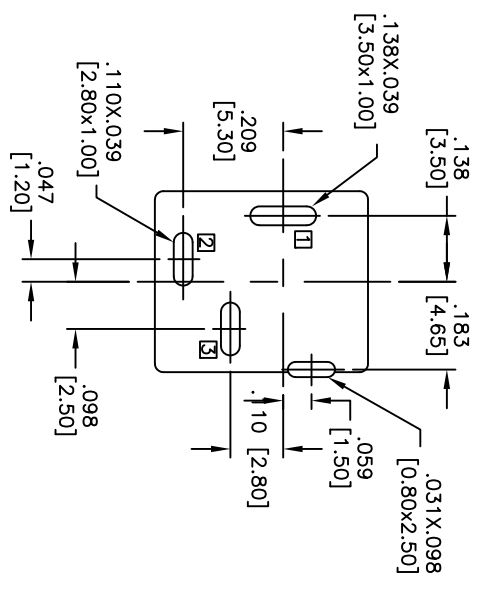
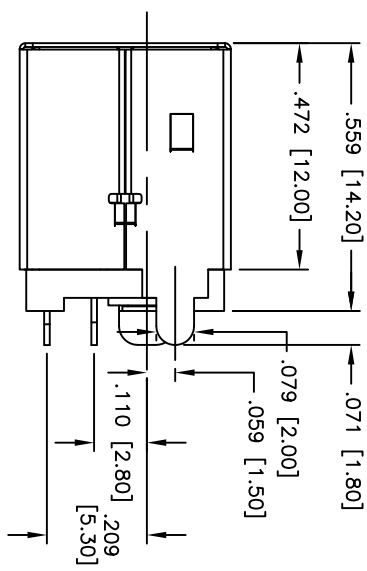
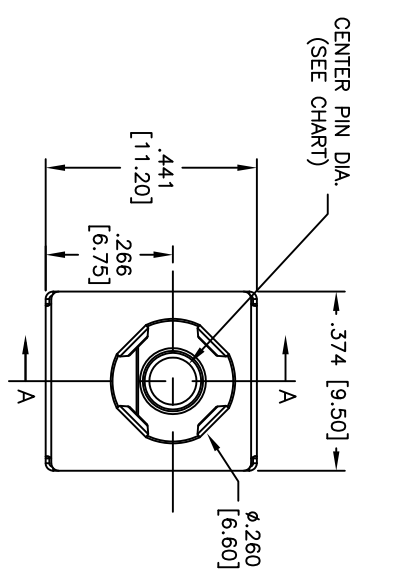
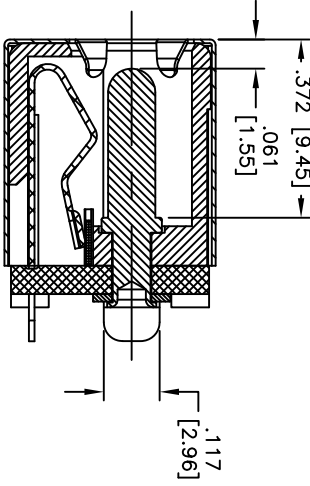


APPROVED: _____
 DATE: _____ TITLE: _____

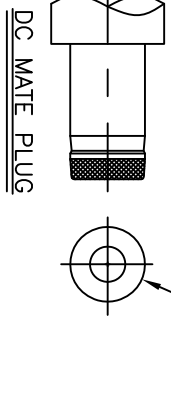
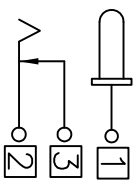
Rev	AWO #	Description	Date	Appr
-		RELEASED	5/14/10	
A		REVISED SPEC.	12/11/13	AYMY



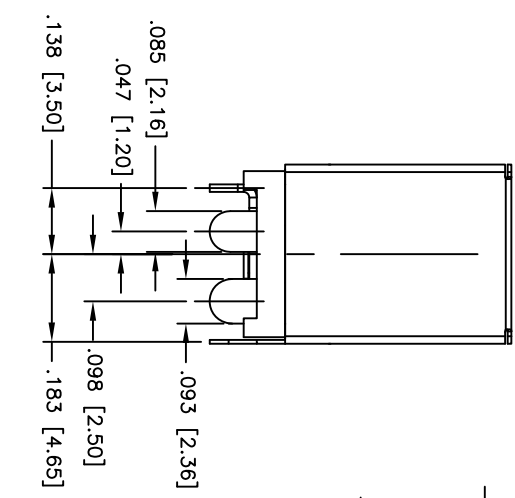
RECOMMENDED PCB LAYOUT



SECTION A-A



PART NO.	CENTER PIN DIA.
ADC-085-1	$\phi 0.079 [2.00]$
ADC-085-2	$\phi 0.098 [2.50]$
ADC-085-9	$\phi 0.065 [1.65]$



SPECIFICATIONS:

Material: Insulator: PBT, rated UL 94V-0
 Insulator color: Black
 Center Pin: Brass, Nickel plated
 Contacts: Copper Alloy
 Shell: Stainless steel, Nickel plated
 Plating: Silver over Nickel underplate
 Electrical: Operating voltage: 20 VDC max.
 Current rating: 2.5 Amp max.
 Contact resistance: 30 mohms max. initial
 Insulation resistance: 100 Mohms min.
 Withstand voltage: 500 VAC
 Temperature Rating: Operating temperature: -20°C to +70°C
 Environmental: Lead free, RoHS compliant

ADAM TECH

909 Railway Avenue, Union, NJ 07083
 Phone: 908-687-5000 Fax: 908-687-5710

TITLE: DC POWER JACK, 2.00 mm, 2.50 mm, 1.65mm CENTER PIN

UNLESS OTHERWISE SPECIFIED ALL DIMENSIONS ARE INCHES [MM]	
TOLERANCES: EXCEPT AS NOTED	
INCHES	HOLES
.X ± .10	± .10
.XX ± .020	± .015
.XXX ± .015	± .010
APPROVALS	DATE
DRAWN	DY
CHECKED	
APPROVED	

SIZE	PART NO.	REV.
X	ADC-085-X	A
REF: S00022C	SCALE: NTS	SHEET 1 OF 1

