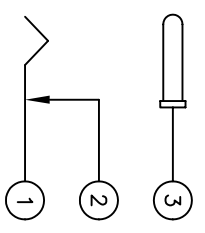
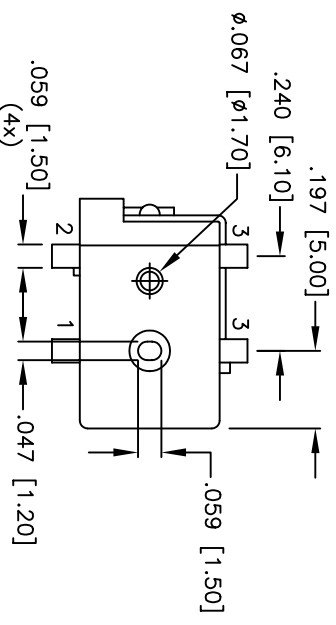
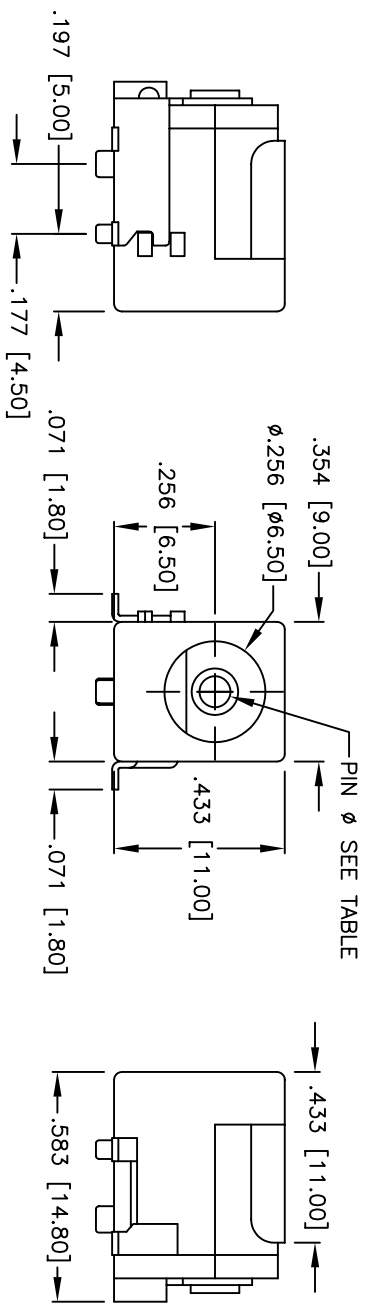


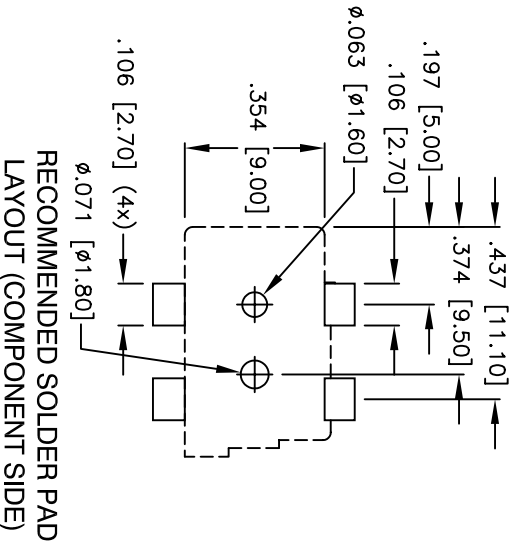
Rev	Description	Date	Appr
-	Preliminary	10/07/98	ELD
A	Revised Part Number	10/12/99	

APPROVED: _____
DATE: _____



SCHEMATIC

P/N	CENTER PIN Ø
ADC-010-1-SMT-P	2.00 mm
ADC-010-2-SMT-P	2.50 mm



RECOMMENDED SOLDER PAD LAYOUT (COMPONENT SIDE)

SPECIFICATIONS:
Material:
Insulator: Nylon 6/6T, rated UL94V-0
Contacts: Phosphor Bronze
Plating: 50 µin nickel over 50 µin copper.
Electrical:
Operation voltage: 250 VAC max
Current rating: 1 A max
Contact resistance: 20 mohm max
Insulation resistance: 500 Mohm min @ 500 VDC
Dielectric withstanding voltage: 500 VAC min rms
Mechanical:
Insertion force: 7 ozs. max
Withdrawal force: 4 ozs. min
Applicable soldering processes: Hand, wave, vapor-phase or IR Reflow
Environment:
Operating temperature: -65°C to +125°C

ADAM TECH

Dimension in IN [MM]

DRAWN : T.D.

Tolerance
(Unless Otherwise Specified)
XX ± .10
XXX ± .010

APPR :

DESCRIPTION :
Surface Mount
DC Power Jack with Mounting Posts

PART NUMBER :
ADC-010-X-SMT-P
(ADC-010-1-SMT-P SHOWN)

Date: 10/07/98

SCALE : 2:1

SHEET 1
OF 1 SHEETS

LOG 5250

REF.

REV. A