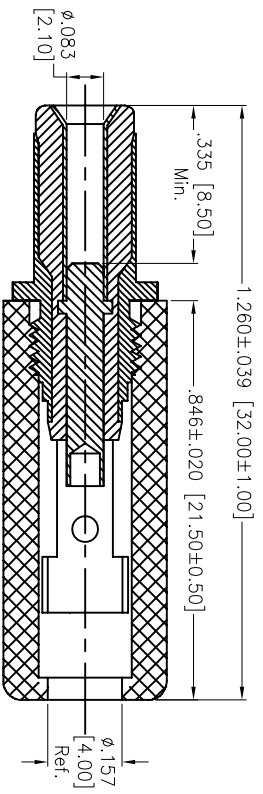
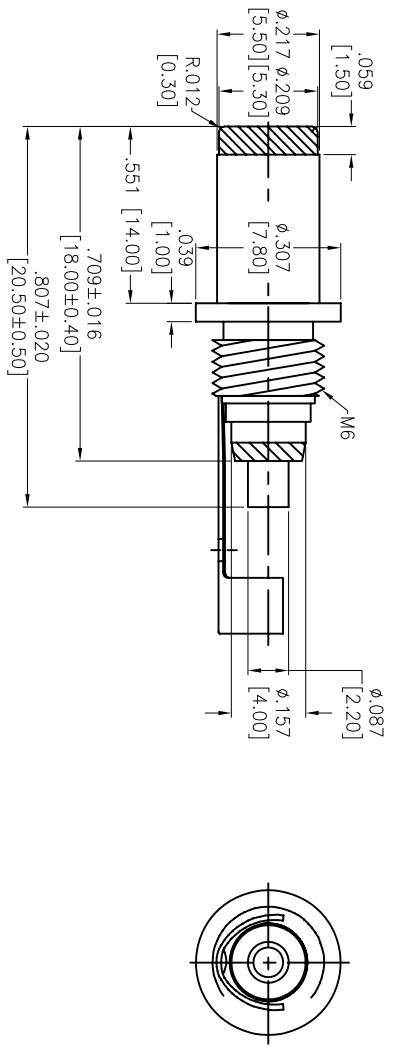


Rev	AWO #	Description	Date	Appr
-		PRELIMINARY	08/01/13	

APPROVED: \_\_\_\_\_  
 DATE: \_\_\_\_\_ TITLE: \_\_\_\_\_



**SPECIFICATIONS:**

**Material:**  
 Insulator: ABS, Color: Black  
 Insulator Ring: PDE, Color: Black  
 Ground Contacts: Brass, Nickel plated  
 Inner Barrel: Brass, Nickel plated  
 Outer Sleeve: Brass, Nickel plated

**Electrical:**  
 Contact Resistance: 30m Ohms max  
 Insulation Resistance: 100m Ohms min @ dc 500V  
 Dielectric Withstanding Voltage: AC 500V for 1 min.

**Environmental:**  
 Lead free, RoHS compliant.

**ADAM TECH**

909 Rahway Avenue, Union, NJ 07083  
 Phone: 908-687-5000 Fax: 908-687-5710

2.10mm CENTER PIN DC JACK, PLUG

UNLESS OTHERWISE SPECIFIED ALL DIMENSIONS ARE INCHES [MM]	
TOLERANCES: EXCEPT AS NOTED	
INCHES	HOLES
.X ± .10	Ø.X ± .10
.XX ± .020	Ø.XX ± .015
.XXX ± .015	Ø.XXX ± .010
APPROVALS	
DRAWN	TW
CHECKED	YC
APPROVED	
DATE	DATE
08/01/13	08/01/13

SIZE	PART NO.	REV.
X	ADP-083/217/551	-
REF:	S0002T	
SCALE:	NTS	
SHEET	1 OF 1	

