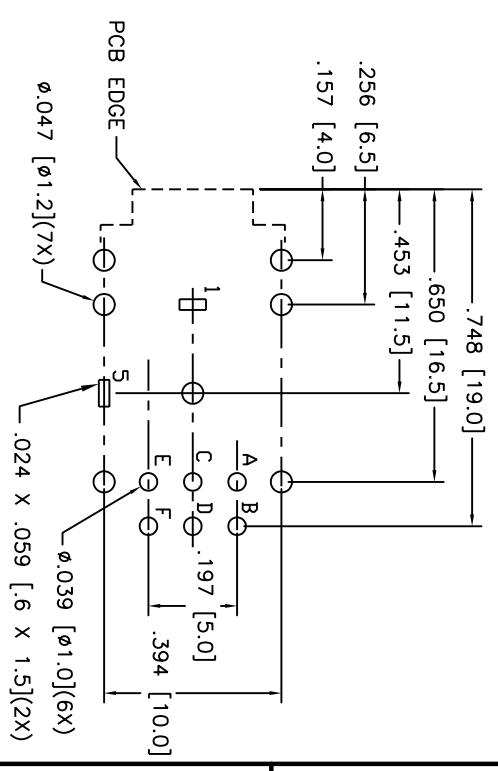
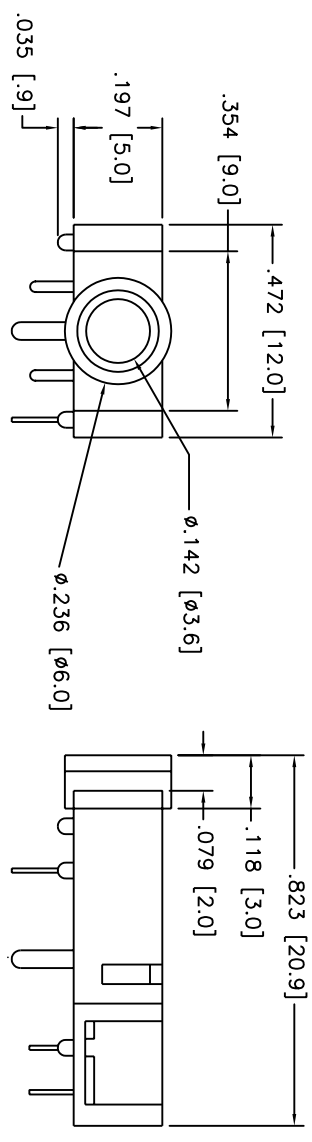


Rev	AWO #	Description	Date	Appr
-		RELEASED	11/05/04	

APPROVED: _____
 DATE: _____ TITLE: _____



SPECIFICATIONS:

Material:
 Insulator: Polybutylene Terephthalate (PBT), glass reinforced thermoplastic, rated UL 94V-0, Color: Black
 Bushing, Contacts, Shunt and Ground Terminals: Copper Alloy

Plating:
 Bushing and Ground Terminals: 5 µin Nickel Plated
 Contacts and Shunt Terminals: 5 µin Tin Plated

Electrical:
 Operation voltage: 250 VAC
 Current rating: 1 Amp
 Contact resistance: 50 mΩ max
 Insulation resistance: 100 MΩ min at 500 VDC
 Dielectric withstanding voltage: 500V AC (RMS) for 1 minute
 Environmental:
 Operating temperature: -40°C to +85°C

UNLESS OTHERWISE SPECIFIED ALL DIMENSIONS ARE MM [INCHES] TOLERANCES: EXCEPT AS NOTED INCHES		HOLE SIZE	
.X	± .10	Ø.X	± .10
.XX	± .020	Ø.XXX	± .015
.XXX	± .015	Ø.XXX	± .010
APPROVALS		DATE	
DRAWN	SS	11/05/04	
CHECKED			
APPROVED			
TITLE		SIZE	PART NO.
STEREO JACK, 3.5mm, WITH SWITCH		X	ASL-1-2-SW
909 Rahway Avenue, Union, NJ 07083 Phone: 908-687-5000 Fax: 908-687-5710		SCALE:	NTS
ADAM TECH		SHEET	1 OF 1