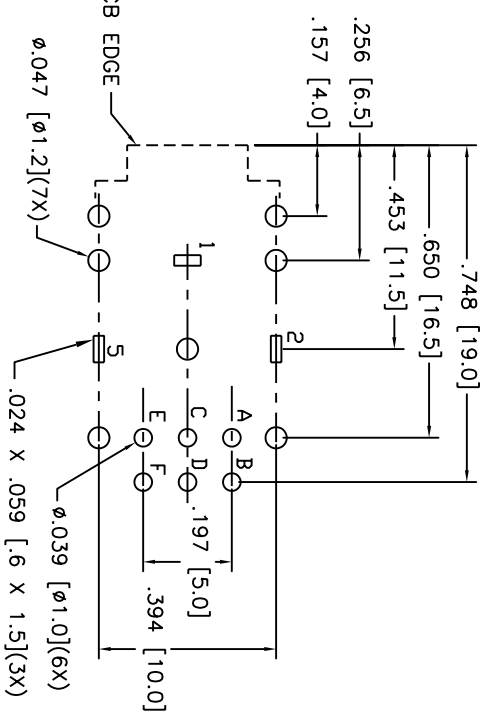
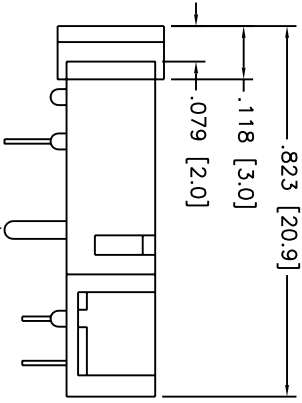
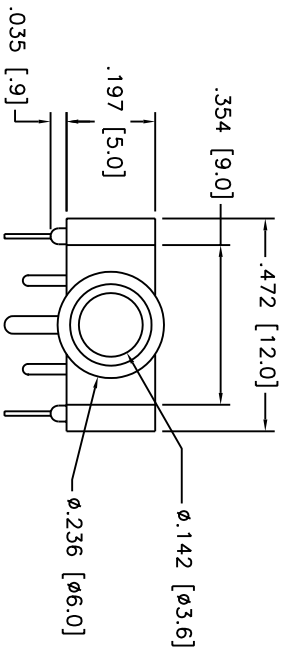


| Rev | AWO # | Description | Date | Appr |
|-----|-------|-------------|----------|------|
| - | | RELEASED | XXXXXXXX | |

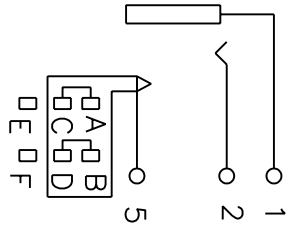
APPROVED: _____
 DATE: _____ TITLE: _____



P.C.B. LAYOUT
 (TOP VIEW)

TOLERANCE: ±.004 [±.1]

SCHMATIC



SPECIFICATIONS:
 Material: Polybutylene Terephthalate (PBT), glass reinforced thermoplastic, rated UL 94V-0, Color: Black

Insulator: Polybutylene Terephthalate (PBT), glass reinforced thermoplastic, rated UL 94V-0, Color: Black

Bushing, Contacts, Shunt and Ground Terminals: Copper Alloy
 Bushing and Ground Terminals: 5 µin Nickel Plated
 Contacts and Shunt Terminals: 5 µin Tin Plated

Electrical:
 Operation voltage: 250 VAC

Current rating: 1 Amp

Contact resistance: 50 mΩ max

Insulation resistance: 100 MΩ min at 500 VDC
 Dielectric withstanding voltage: 500V AC (RMS) for 1 minute
 Environmental:
 Operating temperature: -40°C to +85°C

ADAM TECH
 909 Railway Avenue, Union, NJ 07083
 Phone: 908-687-5000 Fax: 908-687-5710

TITLE: STEREO JACK, 3.5mm, WITH SWITCH

| | |
|--|------------|
| UNLESS OTHERWISE SPECIFIED ALL DIMENSIONS ARE MM [INCHES] | |
| TOLERANCES: EXCEPT AS NOTED | |
| INCHES | HOLES |
| .X ±.10 | ØX ±.10 |
| .XX ±.020 | ØXX ±.015 |
| .XXX ±.015 | ØXXX ±.010 |
| APPROVALS | DATE |
| DRAWN SS | 11/05/04 |
| CHECKED | |
| APPROVED | |

| | | |
|------|------------|--------------|
| SIZE | PART NO. | REV. |
| X | ASJ-1-3-SW | - |
| REF: | SCALE: NTS | SHEET 1 OF 1 |