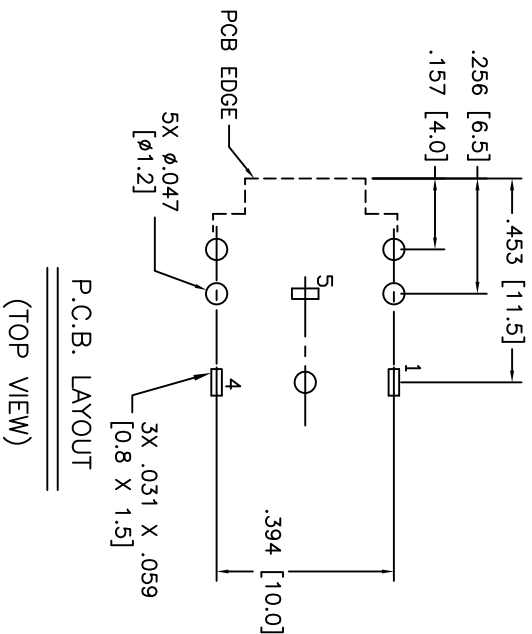
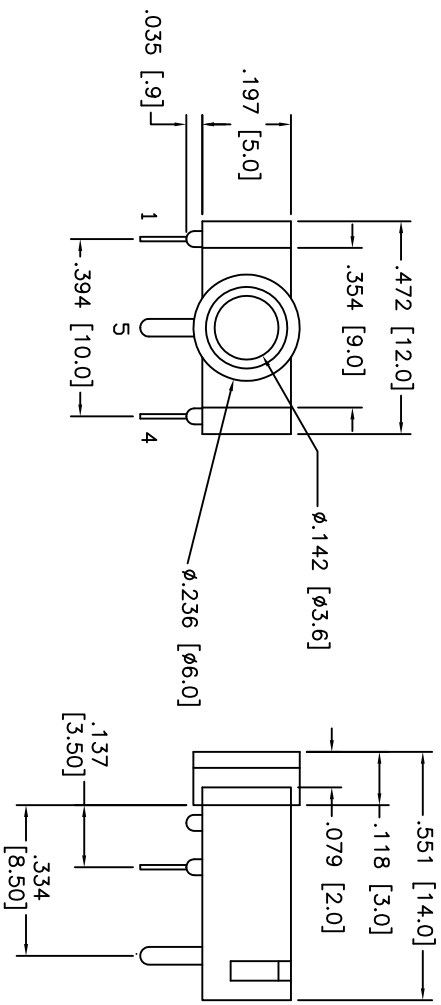
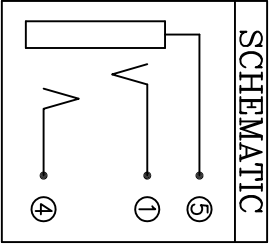


Rev	AWO #	Description	Date	Appr
-		RELEASED	02/08/07	

APPROVED: \_\_\_\_\_  
 DATE: \_\_\_\_\_ TITLE: \_\_\_\_\_



TOLERANCE: ±.004 [±.1]



**SPECIFICATIONS:**  
**Material:** Polybutylene Terephthalate (PBT), glass reinforced thermoplastic, rated UL 94V-0, Color: Black  
**Bushing, Contacts, Shunt and Ground Terminals:** Copper Alloy  
**Plating:** Bushing and Ground Terminals: 5 µin Nickel Plated  
 Contacts and Shunt Terminals: 5 µin Tin Plated  
**Electrical:**  
**Operation voltage:** 250 VAC  
**Current rating:** 1 Amp  
**Contact resistance:** 50 mΩ max  
**Insulation resistance:** 100 MΩ min at 500 VDC  
**Dielectric withstanding voltage:** 500V AC (RMS) for 1 minute  
**Environmental:**  
**Operating temperature:** -40°C to +85°C  
**Recommended soldering temp.** 235°C for 5 seconds. **REFS**

**ADAM TECH**  
 909 Rahway Avenue, Union, NJ 07083  
 Phone: 908-687-5000 Fax: 908-687-5710

UNLESS OTHERWISE SPECIFIED ALL DIMENSIONS ARE IN INCHES		HOLE SIZE	
.X	±.10	ØXX	±.10
.XX	±.020	ØXXX	±.015
.XXX	±.015	ØXXXX	±.010
APPROVALS		DATE	
DRAWN	BW	02/08/07	
CHECKED			
APPROVED			

SIZE	PART NO.	REV.
X	ASL-1-3	-
REF:	SCALE: NTS	SHEET 1 OF 1

6 5 4 3 2 1