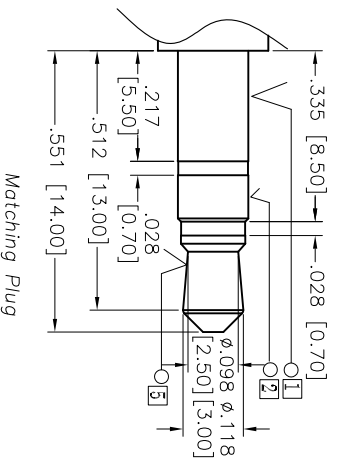
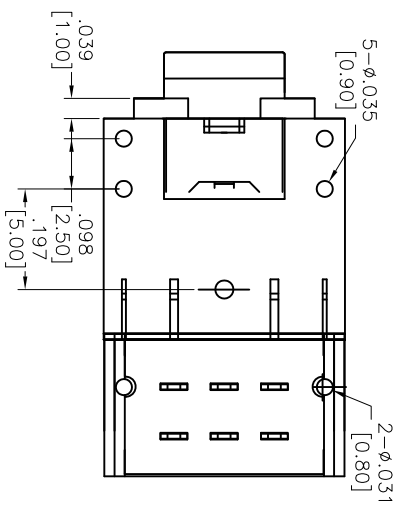
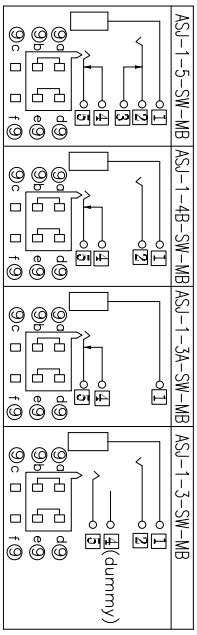
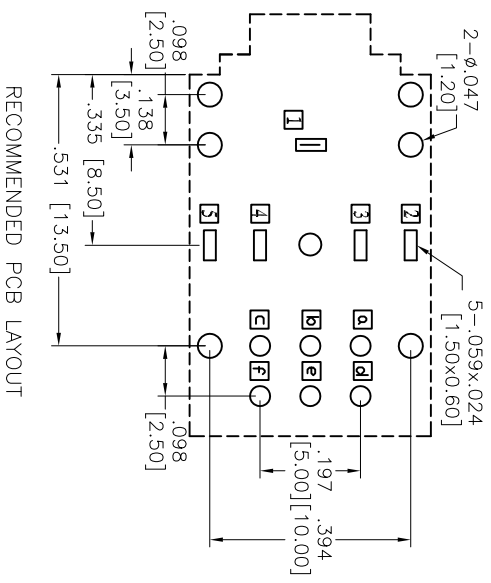
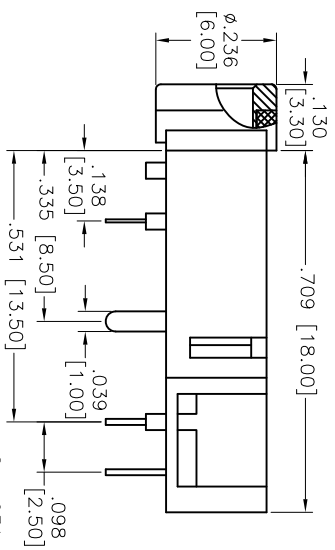
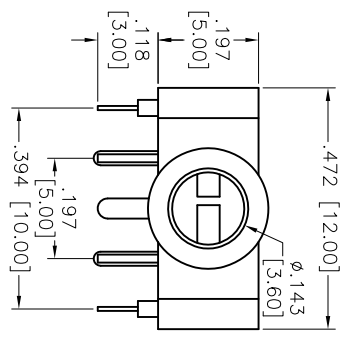
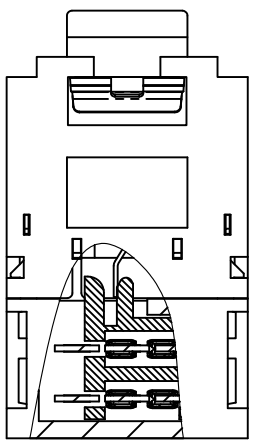


Rev	AWO #	Description	Date	Appr
-		RELEASED	9/8/11	

APPROVED: _____
 DATE: _____ TITLE: _____



Matching Plug

SPECIFICATIONS:

Material:
 Insulator: PBT, rated UL 94V-0
 Insulator color: Black
 Switch housing: PA66, rated UL 94V-0, Color: Black
Contacts: Brass, Silver plated.
 Bushing: Copper Alloy, Nickel plated.
 Spring: Stainless steel, Silver plated.
Electrical:
 Operating voltage: 30 VDC max.
 Current rating: 0.5 Amp max.
 Contact resistance: 50 mohms max.
 Insulation resistance: 100 Mohms min.
 Dielectric withstanding voltage: 500 VAC for 1 minute
Temperature Rating:
 Operating temperature: -20°C to +70°C
Environmental:
 Lead free, RoHS compliant.
 Recommended soldering temp: 235°C for 5 sec.

ADAM TECH

909 Railway Avenue, Union, NJ 07083
 Phone: 908-687-5000 Fax: 908-687-5710

STEREO PHONE JACK, 3.5mm

UNLESS OTHERWISE SPECIFIED ALL DIMENSIONS ARE IN INCHES [MM]		TOLERANCES: EXCEPT AS NOTED	
.X	± .10	ØX	± .10
.XX	± .020	ØXX	± .015
.XXX	± .015	ØXXX	± .010
APPROVALS		DATE	
DRAWN	TW	9/8/11	
CHECKED	AY	9/8/11	
APPROVED			

SIZE	PART NO.	REV.
X	ASU-1-X-SW-MB	
REF: S0002C	SCALE: NTS	SHEET 1 OF 1