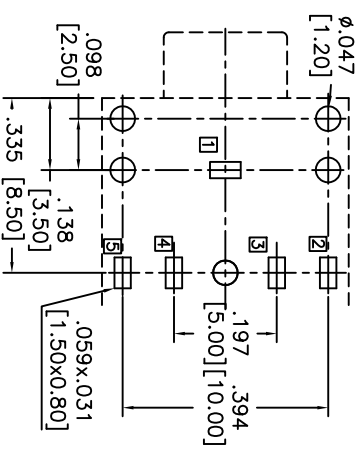
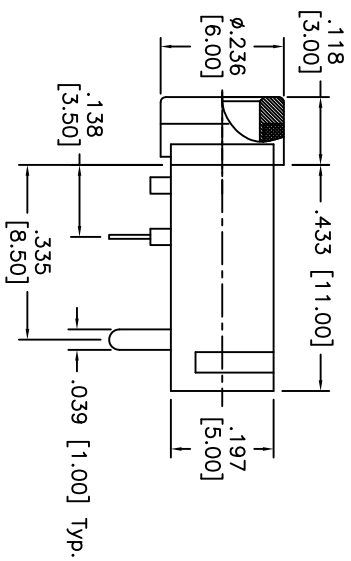
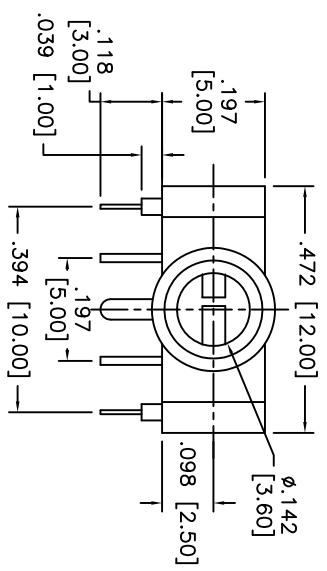
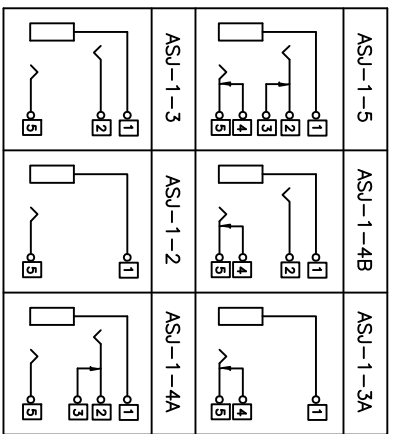
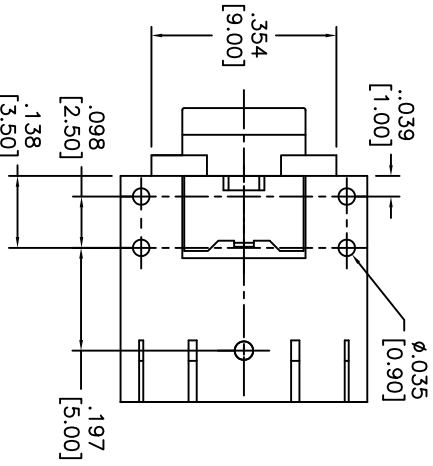
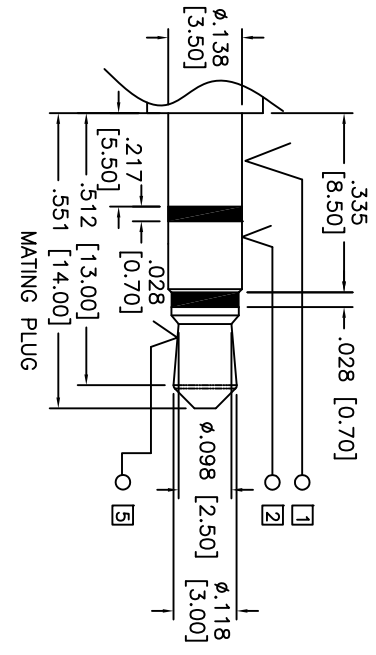


APPROVED: \_\_\_\_\_  
 DATE: \_\_\_\_\_ TITLE: \_\_\_\_\_

Rev	AWO #	Description	Date	Appr
-		RELEASED	7/12/10	
A		REVISED LAYOUT	8/31/11	



RECOMMENDED PCB LAYOUT



**SPECIFICATIONS:**

- Material: Insulator: PBT, rated UL 94V-0
- Insulator color: Black
- Contacts: Copper Alloy, Tin plated.
- Bushing: Copper Alloy, Nickel plated
- Electrical:
  - Operating voltage: 30 VDC max.
  - Current rating: 0.5 Amp max.
  - Contact resistance: 50 mohms max.
  - Insulation resistance: 100 Mohms min.
  - Dielectric withstanding voltage: 500 VAC for 1 minute
- Mechanical:
  - Insertion / Withdrawal Force: 3N ~ 30N.
  - Life Test: 5,000 Cycles min.
  - Temperature Rating: Operating temperature: -20°C to +70°C
- Environmental: Lead free, RoHS compliant.

**ADAM TECH**

909 Railway Avenue, Union, NJ 07083  
 Phone: 908-687-5000 Fax: 908-687-5710

TITLE: STEREO PHONE JACK, 3.5mm

UNLESS OTHERWISE SPECIFIED ALL DIMENSIONS ARE INCHES [MM]	
TOLERANCES: EXCEPT AS NOTED	
INCHES	HOLDS
.X ± .10	± .10
.XX ± .020	± .015
.XXX ± .015	± .010
.XXX ± .015	± .010
APPROVALS	DATE
DRAWN	DY
CHECKED	7/12/10
APPROVED	

SIZE	PART NO.	REV.
X	ASJ-1-X	A
REF: S0002C	SCALE: NTS	SHEET 1 OF 1