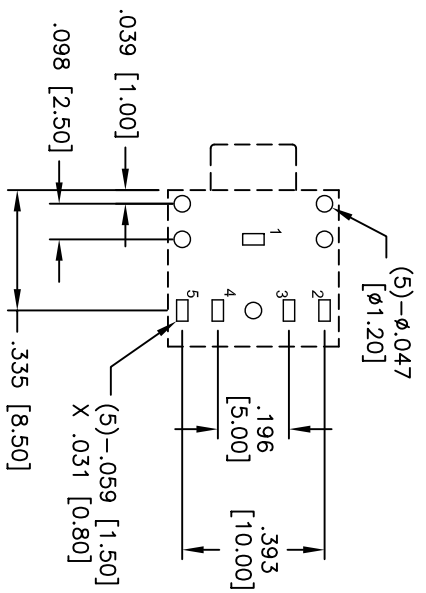
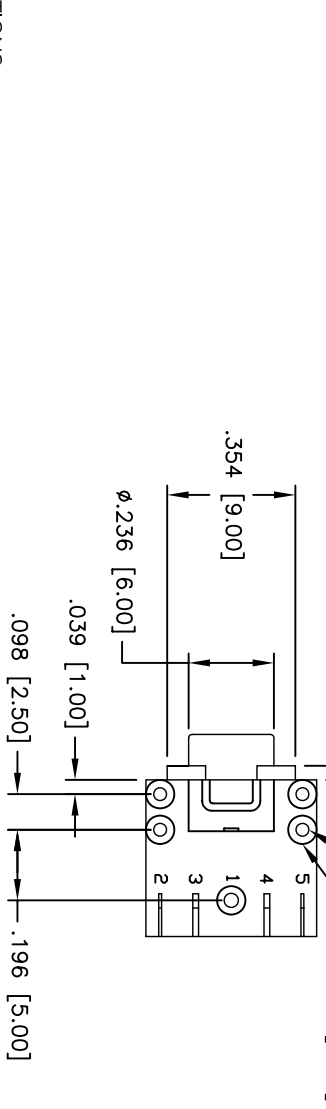
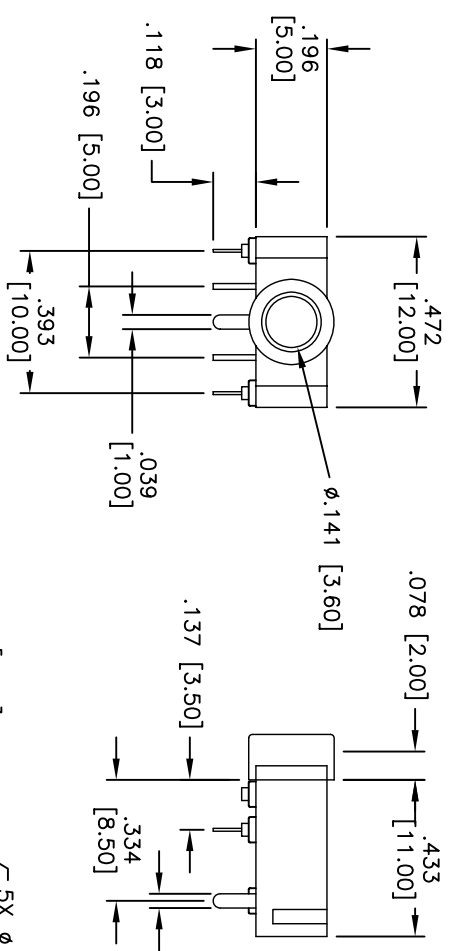
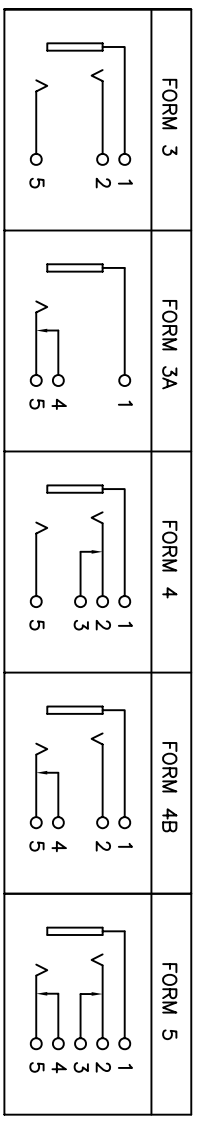


Rev	AWO #	Description	Date	Appr
-		RELEASED	8/28/07	

APPROVED: \_\_\_\_\_  
 DATE: \_\_\_\_\_ TITLE: \_\_\_\_\_



PCB LAYOUT  
TOP VIEW



**SPECIFICATIONS:**

- Material:** Insulator: PBT, Glass reinforced, rated UL 94V-0
- Insulator color:** Black
- Bushing:** Brass, Nickel plated
- Contacts:** Copper Alloy
- Plating:** Tin over Copper underplate
- Electrical:** Operating voltage: 12 VDC max. Current rating: 0.5 Amp max. Contact resistance: 30 mohms max. initial Insulation resistance: 100 Mohms min. Dielectric withstanding voltage: 500 VAC for 1 minute Temperature Rating: Operating temperature: -65°C to +125°C Environmental: Lead free, RoHS Compliant Recommended soldering temp: 235°C for 5 seconds



UNLESS OTHERWISE SPECIFIED  
 ALL DIMENSIONS ARE INCHES [MM]  
 TOLERANCES: EXCEPT AS NOTED  
 INCHES Holes ±.10  
 .XX ±.020  
 .XXX ±.015  
 .XXX ±.010

**ADAM TECH**

909 Rahway Avenue, Union, NJ 07083  
 Phone: 908-687-5000 Fax: 908-687-5710

TITLE: STEREO JACK, 3.5mm  
 PLASTIC BUSHING

DRAWN	SS	8/28/07
CHECKED		
APPROVED		

SIZE	PART NO.	REV.
X	ASL-1-XX-PB	-
REF:	SCALE: NTS	SHEET 1 OF 1