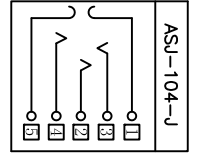
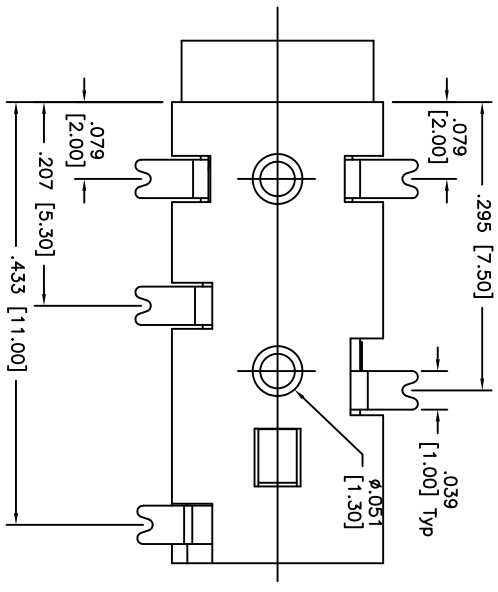
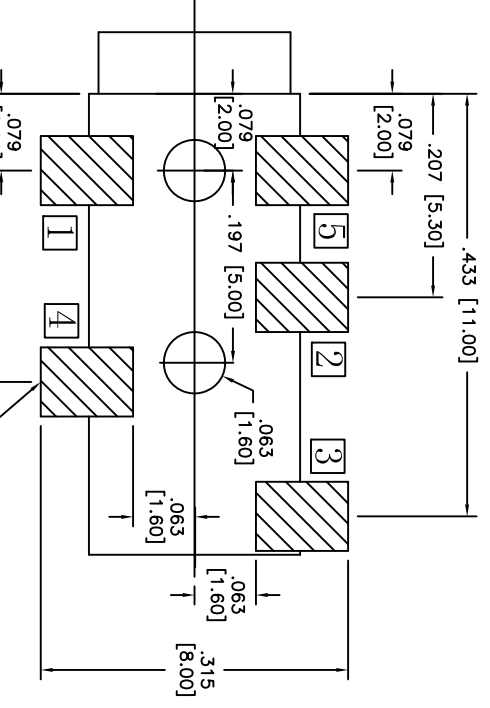
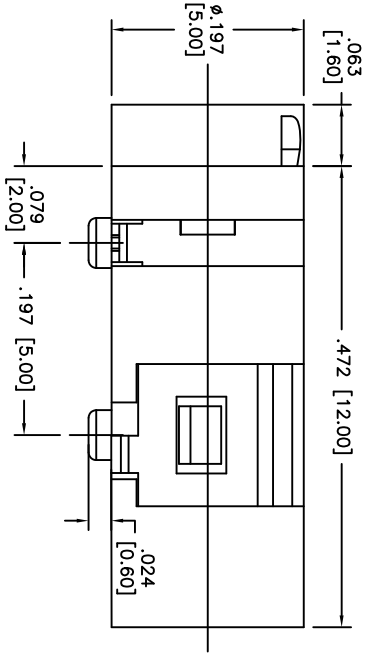
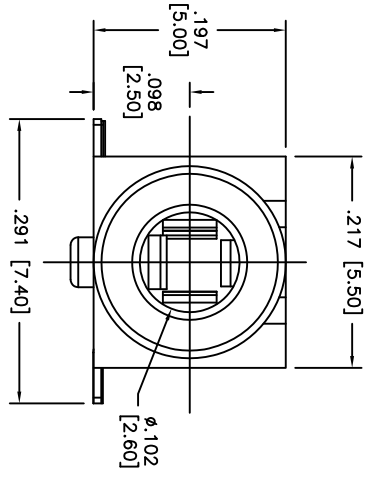


Rev	AWO #	Description	Date	Appr
-		RELEASED	9/20/10	
A		REVISED SPEC.	2/14/11	
B		REVISED LAYOUT.	6/2/11	

APPROVED: \_\_\_\_\_  
 DATE: \_\_\_\_\_ TITLE: \_\_\_\_\_



**SPECIFICATIONS:**

- Material: Insulator: HI-Temp thermoplastic, rated UL 94V-0
- Insulator color: Black
- Contacts: Copper Alloy
- Plating: Silver over Copper underplate
- Electrical: Operating voltage: 30 VDC max.
- Current rating: 0.5 Amp max.
- Contact resistance: 50 Mohms max.
- Insulation resistance: 100 Mohms min initial.
- Dielectric withstanding voltage: 500 VAC for 1 minute
- Temperature Rating: Operating temperature: -25°C to +85°C
- Environmental: Lead free, RoHS compliant.

RECOMMENDED PCB LAYOUT

**ADAM TECH**

909 Rahway Avenue, Union, NJ 07083  
 Phone: 908-687-5000 Fax: 908-687-5710

2.5MM STEREO PHONE JACK

UNLESS OTHERWISE SPECIFIED ALL DIMENSIONS ARE INCHES [MM]	
TOLERANCES: EXCEPT AS NOTED	
INCHES	HOLES
.X ± .10	ØXX ± .10
.XX ± .020	ØXXX ± .015
.XXX ± .015	ØXXXX ± .010
APPROVALS	DATE
DRAWN AY	9/20/10
CHECKED VW	9/20/10
APPROVED	

SIZE	PART NO.	REV.
X	ASJ-104-J	B
REF: S0002C	SCALE: NTS	SHEET 1 OF 1

