

6

5

4

3

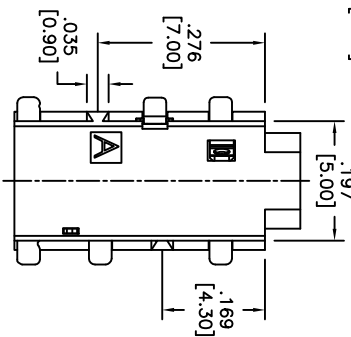
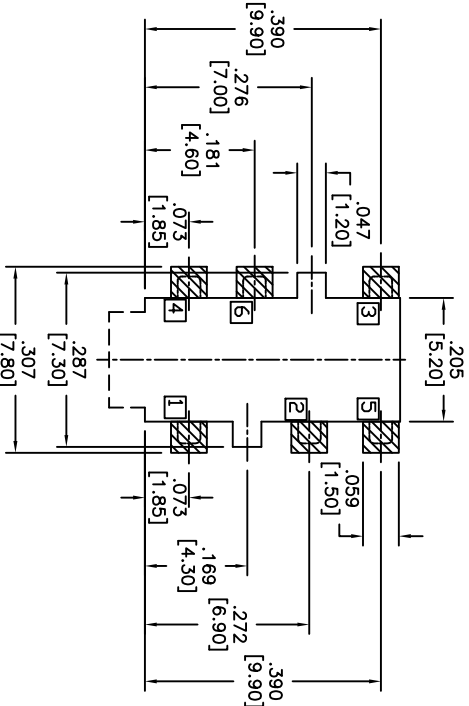
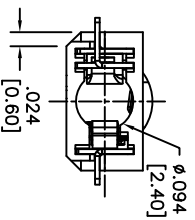
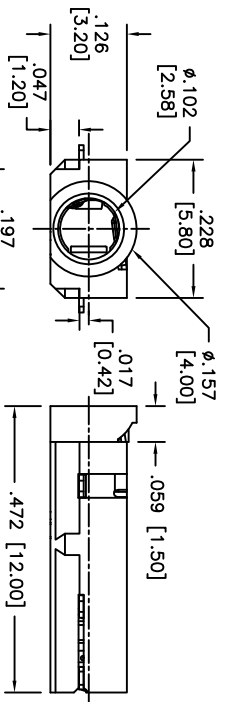
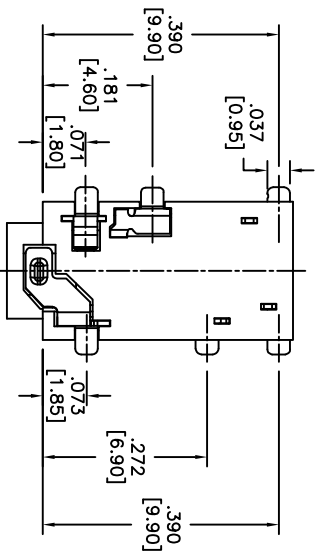
2

1

APPROVED: _____

DATE: _____ TITLE: _____

Rev	AWO #	Description	Date	Appr
-		RELEASED	7/30/10	
A		REDRAWN	6/24/11	
B		REVISED TITLE	11/4/11	



ASJ-105-A	ASJ-105-B	ASJ-105-D	ASJ-105-M	ASJ-105-I

Recommended PCB layout

SPECIFICATIONS:

- Material: Insulator: Hi-temp thermoplastic, rated UL 94V-0
- Insulator color: Black
- Contacts: Copper Alloy, Gold Plated
- Electrical:
 - Operating voltage: 30 VDC max.
 - Current rating: 0.5 Amp max.
 - Contact resistance: 30 mohms max.
 - Insulation resistance: 100 Mohms min.
 - Dielectric withstanding voltage: 500 VAC for 1 minute
 - Temperature Rating: Operating temperature: -20°C to +70°C
- Environmental: Lead free, RoHS compliant.



ADAM TECH

909 Rahway Avenue, Union, NJ 07083
 Phone: 908-687-5000 Fax: 908-687-5710

STEREO PHONE JACK, 2.50mm

UNLESS OTHERWISE SPECIFIED ALL DIMENSIONS ARE INCHES [MM]		TOLERANCES: EXCEPT AS NOTED	
INCHES		HOLE SIZES	
.X	± .10	Ø.X	± .10
.XX	± .020	Ø.XXX	± .015
.XXX	± .015	Ø.XXX	± .010
APPROVALS	DATE	TITLE	
DRAWN	DY	7/30/10	
CHECKED		SIZE PART NO.	
APPROVED		X ASJ-105-X	
		REF: S0002C	SCALE: NTS
			SHEET 1 OF 1

6

5

4

3

2

1