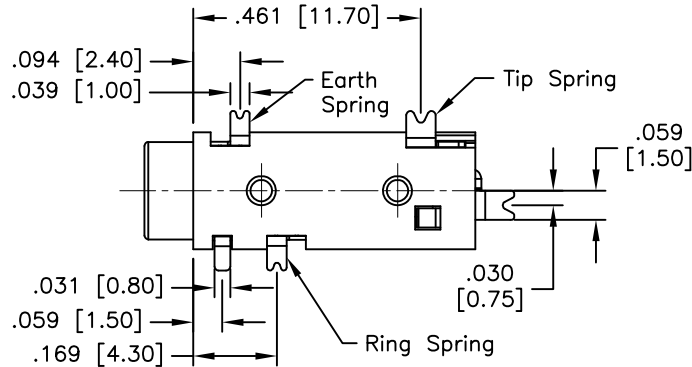
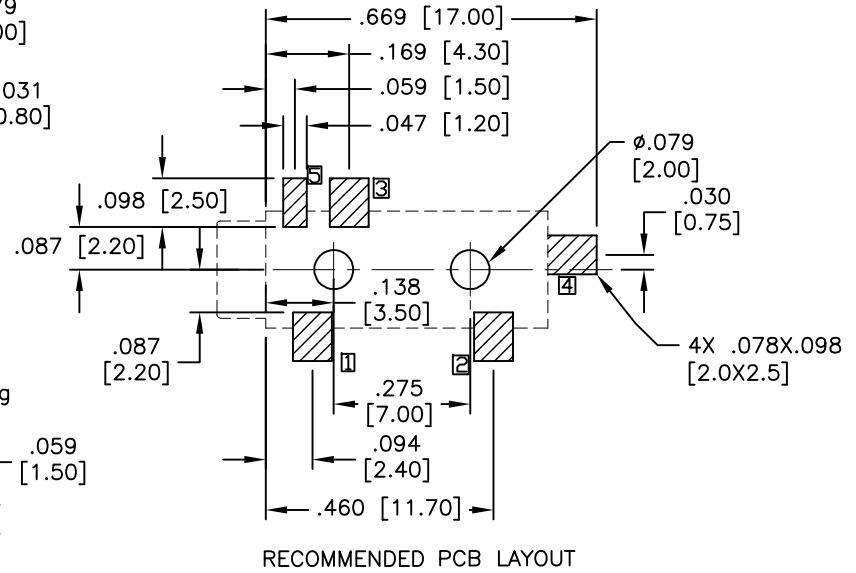
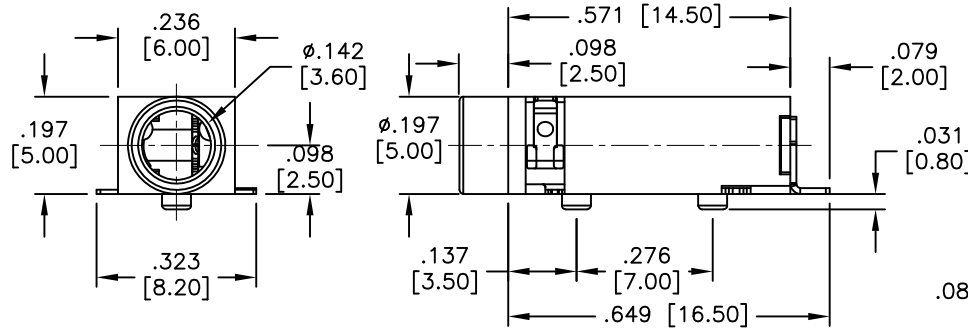


APPROVED: \_\_\_\_\_  
 DATE: \_\_\_\_\_ TITLE: \_\_\_\_\_

Rev	AWO #	Description	Date	Appr
-		RELEASED	12/23/09	
A		REDRAWN	11/19/10	
B		REVISED SPEC.	11/21/12	
C		REVISED SPEC.	4/9/15	AY/OC



**SPECIFICATIONS:**

Material:  
 Insulator: Hi-Temp Thermoplastic, rated UL 94V-0  
 Insulator color: Black  
 Contacts: Brass  
 Earth Spring: Stainless Steel  
 Ring Spring: Stainless Steel  
 Tip Spring: Phosphor Bronze  
 Plating:  
 Silver over Nickel underplate overall  
 Electrical:  
 Operating voltage: 30 VDC max.  
 Current rating: 0.5 Amp max.  
 Contact resistance: 50 mohms max. initial  
 Insulation resistance: 100 Mohms min.  
 Dielectric withstanding voltage: 500 VAC for 1 minute  
 Temperature Rating:  
 Operating temperature: -20°C to +70°C  
 Environmental:  
 Lead free, RoHS compliant.



**SCHMATIC**

ASJ-107-F	ASJ-107-D	ASJ-107-C	ASJ-107-B	ASJ-107-A

UNLESS OTHERWISE SPECIFIED  
 ALL DIMENSIONS ARE INCHES [MM]  
 TOLERANCES: EXCEPT AS NOTED  
 INCHES HOLES  
 .X ± .10 Ø.X ± .10  
 .XX ± .020 Ø.XX ± .015  
 .XXX ± .015 Ø.XXX ± .010

**ADAM TECH**

909 Rahway Avenue, Union, NJ 07083  
 Phone: 908-687-5000 Fax: 908-687-5710

APPROVALS		DATE
DRAWN	DY	12/23/09
CHECKED		
APPROVED		

TITLE		
STEREO JACK, 3.5mm, RIGHT ANGLE SURFACE MOUNT		
SIZE	PART NO.	REV.
X	ASJ-107-X	C
REF:	S00002C	SCALE: NTS SHEET 1 OF 1