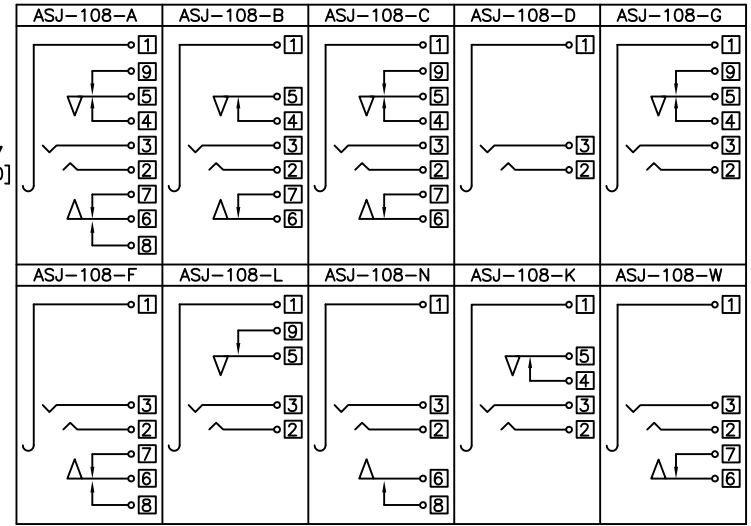
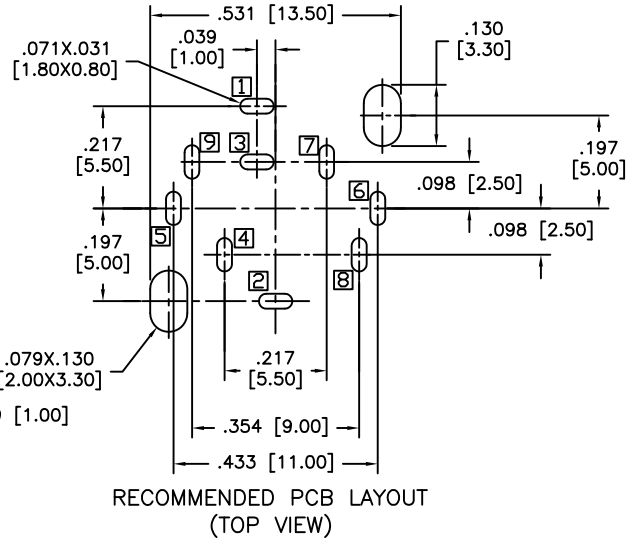
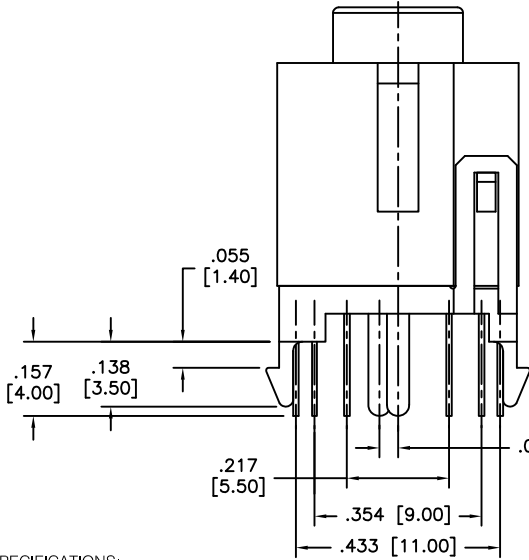
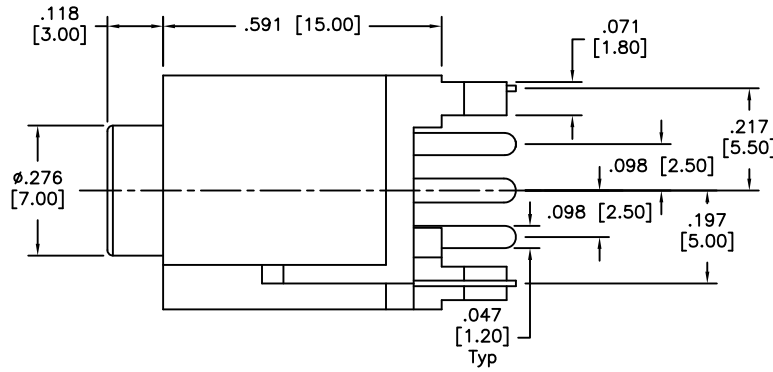
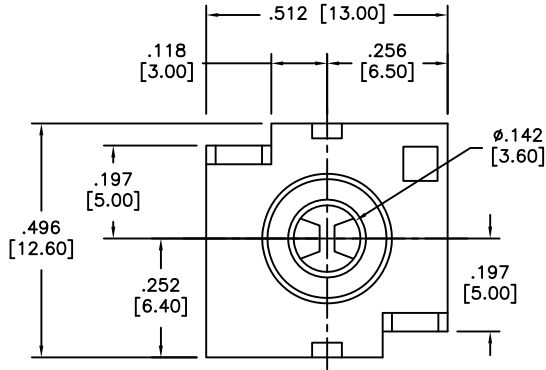


APPROVED: _____
 DATE: _____ TITLE: _____

Rev	AWO #	Description	Date	Appr
-		RELEASED	3/11/10	
A		REVISED LAYOUT	9/13/11	
B		UPDATED SPEC.	6/17/16	HR/LL



SPECIFICATIONS:
 Material:
 Insulator: PBT, rated UL 94V-0
 Insulator color: Black
 Contacts: Copper Alloy
 Plating:
 Silver over Copper underplate
 Electrical:
 Voltage rating: 30 VDC
 Current rating: 0.5 A
 Contact resistance: 50 mohms max.
 Insulation resistance: 100 Mohms min. @ 500 VDC
 Dielectric withstanding voltage: 500 VAC for 1 minute
 Temperature Rating:
 Operating temperature: -20°C to +70°C
 Environmental:
 Lead free, RoHS compliant.



UNLESS OTHERWISE SPECIFIED
 ALL DIMENSIONS ARE INCHES [MM]
 TOLERANCES: EXCEPT AS NOTED

INCHES		HOLES	
.X	± .10	∅.X	± .10
.XX	± .020	∅.XX	± .015
.XXX	± .015	∅.XXX	± .010

APPROVALS		DATE
DRAWN	DY	3/11/10
CHECKED		
APPROVED		

ADAM TECH
 909 Rahway Avenue, Union, NJ 07083
 Phone: 908-687-5000 Fax: 908-687-5710

TITLE: STEREO PHONE JACK, 3.5mm

SIZE	PART NO.	REV.
X	ASJ-108-X	B

REF: S00002C SCALE: NTS SHEET 1 OF 1