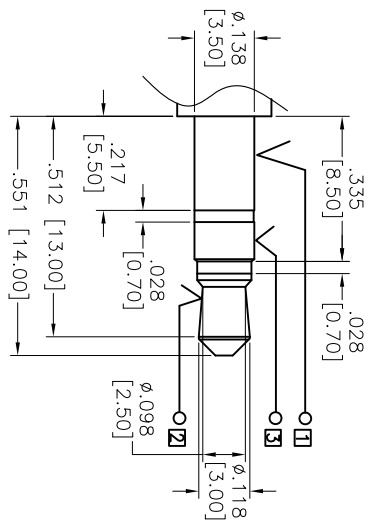
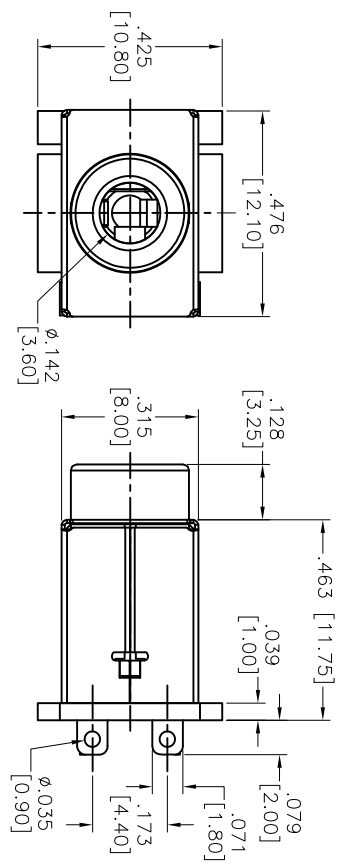
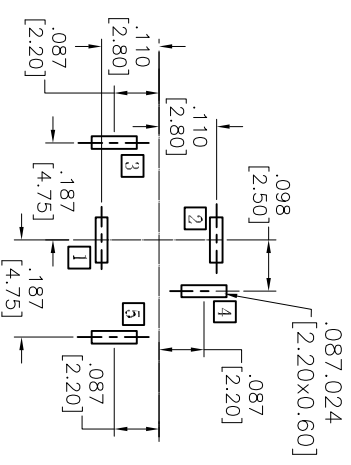


Rev	AWO #	Description	Date	Appr
-		RELEASED	9/19/11	

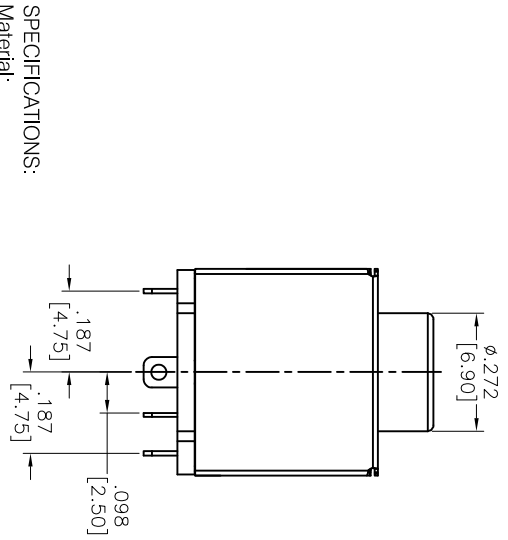
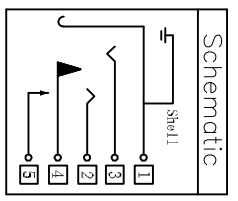
APPROVED: _____
 DATE: _____ TITLE: _____



Matching Plug



RECOMMENDED PCB LAYOUT



SPECIFICATIONS:

Material:
 Insulator: POM, rated UL 94HB
 Insulator color: Black
 Cover: PA66, rated UL 94HB
 Contacts: Phosphor Bronze, Silver plated.
 Spring: Phosphor Bronze, Silver plated.
 Shell: Steel, Nickel plated, Color: Nature

Electrical:
 Operating voltage: 30 VDC max.
 Current rating: 0.5 Amp max.
 Contact resistance: 50 mohms max.
 Insulation resistance: 100 Mohms min @ 250 VDC
 Dielectric withstanding voltage: 500 VAC for 1 minute
 Temperature Rating:
 Operating temperature: -20°C to +70°C

Environmental:
 Lead free, RoHS compliant.
 Recommended soldering temp: 235°C for 5 sec.



UNLESS OTHERWISE SPECIFIED
 ALL DIMENSIONS ARE IN INCHES [MM]
 TOLERANCES: EXCEPT AS NOTED
 INCHES HOLEES
 .X ± .10 ØX ± .10
 .XX ± .020 ØXX ± .015
 .XXX ± .015 ØXXX ± .010

APPROVALS	DATE
DRAWN TW	9/19/11
CHECKED AY	9/19/11
APPROVED	

ADAM TECH

909 Railway Avenue, Union, NJ 07083
 Phone: 908-687-5000 Fax: 908-687-5710

STEREO PHONE JACK, 3.5mm

SIZE	PART NO.	REV.
X	ASL-110-A	-

REF: S0002C SCALE: NTS SHEET 1 OF 1