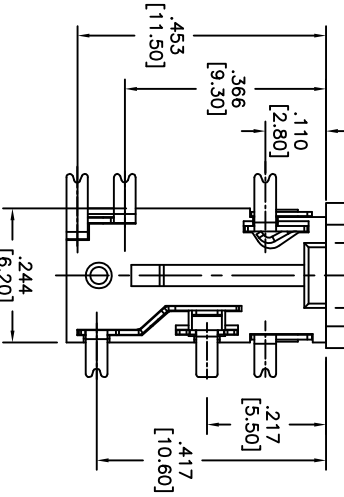
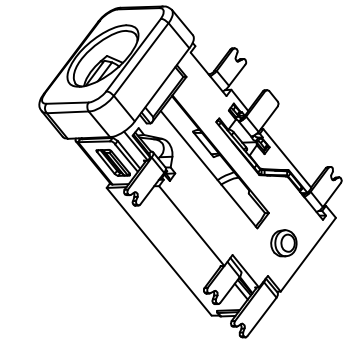
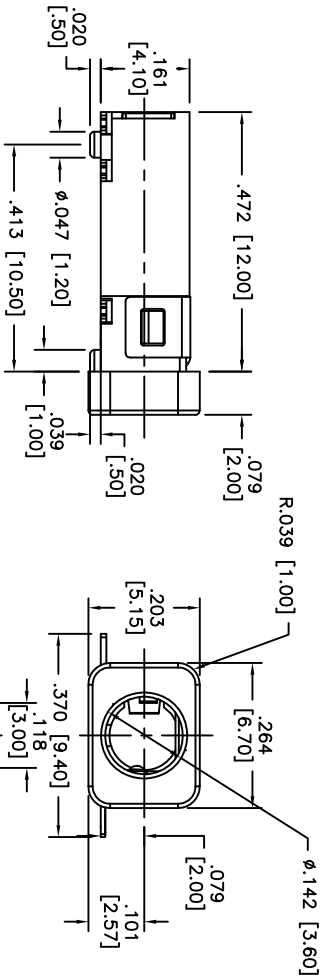
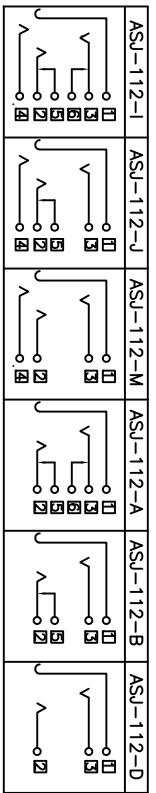
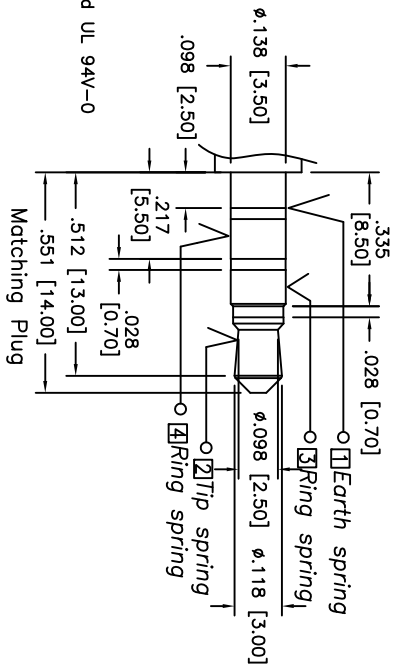
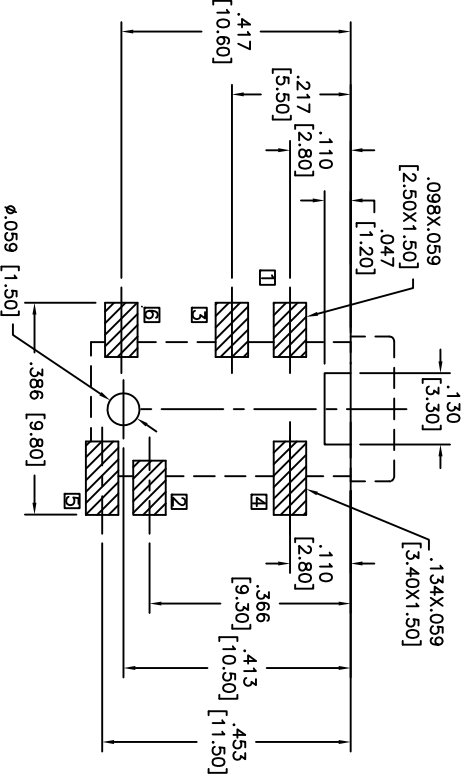


| Rev | AWO # | Description | Date    | Appr |
|-----|-------|-------------|---------|------|
| -   |       | RELEASED    | 8/13/10 |      |

APPROVED: \_\_\_\_\_  
 DATE: \_\_\_\_\_ TITLE: \_\_\_\_\_



RECOMMENDED PCB LAYOUT  
 (Copper-sided view)



UNLESS OTHERWISE SPECIFIED  
 ALL DIMENSIONS ARE IN INCHES [MM]  
 TOLERANCES: EXCEPT AS NOTED  
 INCHES: .X ± .10, .XX ± .020, .XXX ± .015, .XXX ± .015  
 HOLES: ± .10, ± .015, ± .010

**ADAM TECH**  
 909 Rahway Avenue, Union, NJ 07083  
 Phone: 908-687-5000 Fax: 908-687-5710

STEREO PHONE JACK, 3.5mm

**SPECIFICATIONS:**  
 Material: Hi-temp thermoplastic, rated UL 94V-0  
 Insulator color: Black  
 Contacts: Copper Alloy  
 Plating: Gold flash over Nickel underplate  
 Electrical:  
 Operating voltage: 30 VDC max.  
 Current rating: 1 Amp max.  
 Contact resistance: 30 mohms max.  
 Insulation resistance: 100 Mohms min.  
 Dielectric withstanding voltage: 500 VAC for 1 minute  
 Temperature Rating: Operating temperature: -25°C to +85°C  
 Environmental: Lead free, RoHS compliant.



| APPROVALS  | DATE    | TITLE                    |
|------------|---------|--------------------------|
| DRAWN AY   | 8/13/10 | STEREO PHONE JACK, 3.5mm |
| CHECKED DY | 8/13/10 |                          |
| APPROVED   |         |                          |

| SIZE | PART NO.  | REV. |
|------|-----------|------|
| X    | ASU-112-X |      |

| REF.   | SCALE | SHEET | OF |
|--------|-------|-------|----|
| S0002C | NIS   | 1     | 1  |