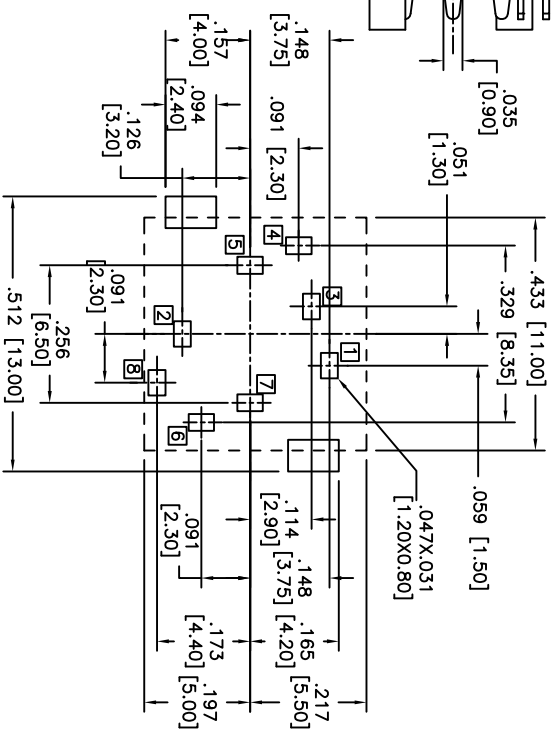
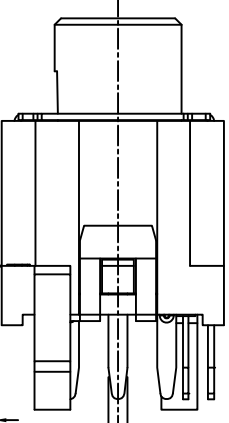
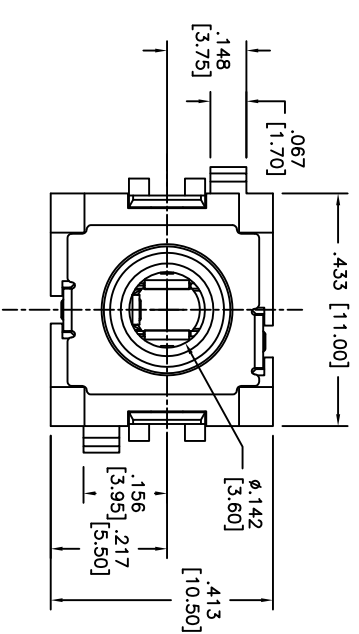
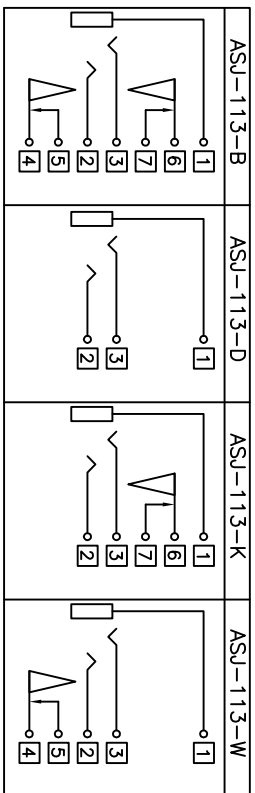
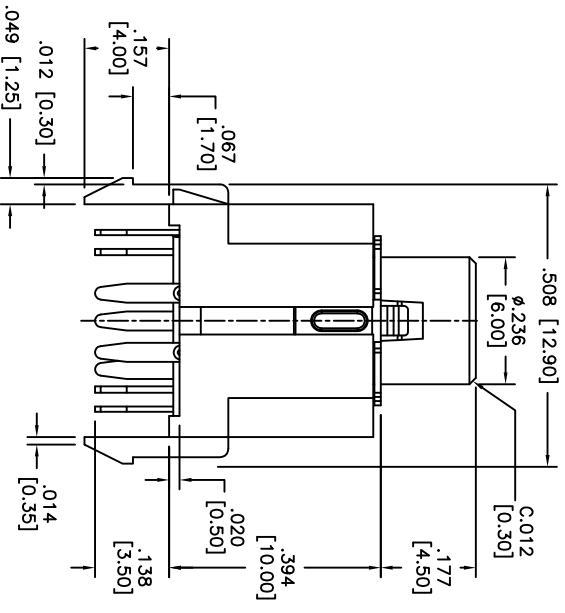


APPROVED: _____
 DATE: _____ TITLE: _____



RECOMMENDED PCB LAYOUT
 (Printed-sided view)



SPECIFICATIONS:

Material: Housing: PBT, rated UL 94V-0
 Housing color: Black
 Insulator: POM, rated UL 94V-HB, color: Black
 Cover: PC, rated UL 94V-2, color: Black
 Contacts: Copper Alloy
 Shield flake: SPCC, Tin plated
 Plating: Tin over Copper underplate

Electrical: Operating voltage: 30 VDC max.
 Current rating: 0.5 Amp max.
 Contact resistance: 30 mohms max.
 Insulation resistance: 100 Mohms min.
 Dielectric withstanding voltage: 500 VAC for 1 minute
 Temperature Rating: Operating temperature: -20°C to +70°C
 Environmental: Lead free, RoHS compliant.



Rev	AWO #	Description	Date	Appr
-		RELEASED	3/11/10	
A		REVISED DIM. & SPEC.	5/2/13	

UNLESS OTHERWISE SPECIFIED
 ALL DIMENSIONS ARE INCHES [MM]
 TOLERANCES: EXCEPT AS NOTED
 INCHES Holes
 .X ± .10
 .XX ± .020
 .XXX ± .015
 .XXX ± .010

ADAM TECH
 909 Railway Avenue, Union, NJ 07083
 Phone: 908-687-5000 Fax: 908-687-5710

TITLE: STEREO PHONE JACK, 3.5mm

DRAWN	DY	DATE	3/11/10
CHECKED			
APPROVED			

SIZE	PART NO.	REV.
X	ASJ-113-X	A
REF: S0002C	SCALE: NTS	SHEET 1 OF 1