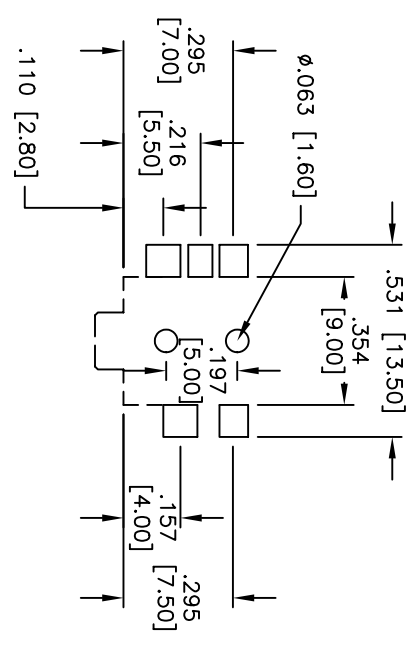
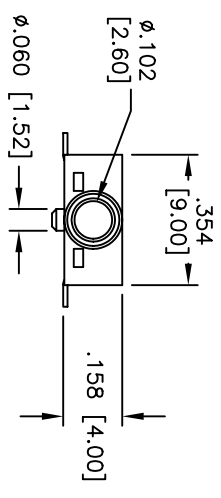
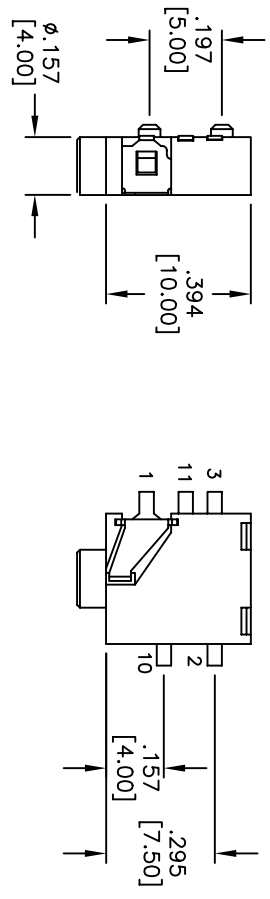


Rev	AWO #	Description	Date	Appr
-		RELEASED	01/11/05	

APPROVED: \_\_\_\_\_  
 DATE: \_\_\_\_\_ TITLE: \_\_\_\_\_



PCB LAYOUT

CONTACT FORM	ASJ-12-02-SMT-TR	ASJ-12-03-SMT-TR	ASJ-12-3A-SMT-TR	ASJ-12-4A-SMT-TR	ASJ-12-4B-SMT-TR	ASJ-12-05-SMT-TR
SCHEMATIC						

**SPECIFICATIONS:**

**Material:**

Insulator: High temp Nylon, Glass reinforced, rated UL 94V-0  
 Insulator color: Black

Contacts: Copper Alloy  
 Plating:

Tin over Copper underplate

**Electrical:**

Operating voltage: 12 VDC max.

Current rating: 1 Amp max.

Contact resistance: 30 mohms max. initial

Insulation resistance: 100 Mohms min.

Dielectric withstanding voltage: 500 VAC for 1 minute

**Temperature Rating:**

Operating temperature: -65°C to +125°C

PACKAGING: SUPPLIED ON TAPE AND REEL

**ADAM TECH**  
 909 Rahway Avenue, Union, NJ 07083  
 Phone: 908-687-5000 Fax: 908-687-5710

TITLE: STEREO JACK, LOW PROFILE, SMT

UNLESS OTHERWISE SPECIFIED ALL DIMENSIONS ARE IN INCHES [MM]	
TOLERANCES: EXCEPT AS NOTED	
INCHES	HOLDS
.X ± .10	ØX ± .10
.XX ± .020	ØXX ± .015
.XXX ± .015	ØXXX ± .010
APPROVALS	DATE
DRAWN	SS
CHECKED	
APPROVED	

SIZE	PART NO.	REV.
X	ASJ-12-XX-SMT-TR	-
REF:	SCALE: NTS	SHEET 1 OF 1