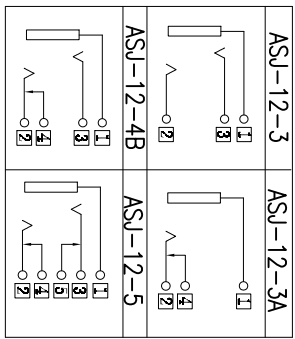
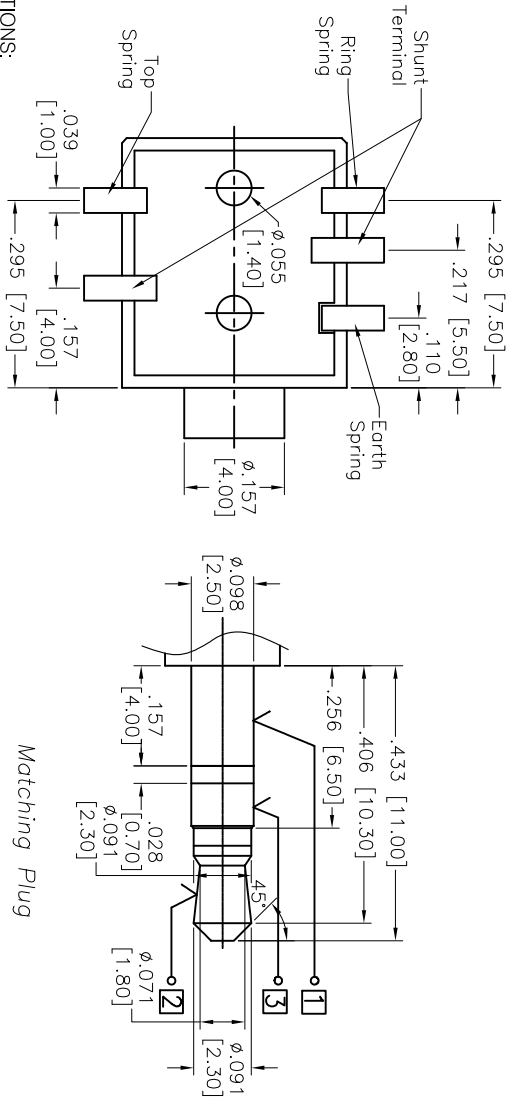
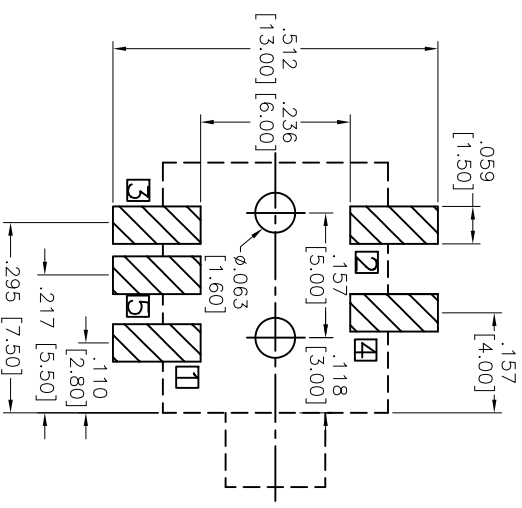
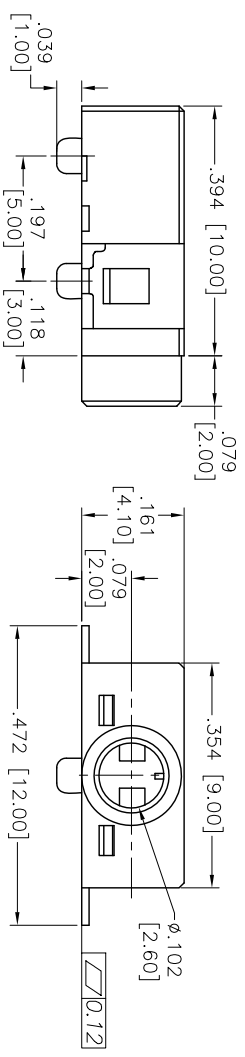


| Rev | AWO # | Description | Date | Appr |
|-----|-------|-------------|--------|------|
| - | | RELEASED | 6/6/14 | |

APPROVED: _____
 DATE: _____ TITLE: _____



PACKAGED ON TAPE & REEL

SPECIFICATIONS:
 Material: Insulator: Hi-temp thermoplastic, rated UL 94V-0
 Insulator color: Black
 Cover: Hi-temp thermoplastic, rated UL 94V-0, color: Black
 Shunt Terminal: Brass
 Earth Spring: Phosphor Bronze
 Ring Spring: Stainless steel
 Top Spring: Stainless steel
 Plating: Gold flash over Copper underplate

Electrical:
 Operating voltage: 30 VDC max.
 Current rating: 0.5 Amp max.
 Contact resistance: 30 mohms max.
 Insulation resistance: 100 Mohms min.
 Dielectric withstanding voltage: 500 VAC for 1 minute

Temperature Rating:
 Operating temperature: -20°C to +70°C

Environmental:
 Lead free, RoHS compliant.



ADAM TECH

909 Railway Avenue, Union, NJ 07083
 Phone: 908-687-5000 Fax: 908-687-5710

STEREO PHONE JACK, 2.5mm

| UNLESS OTHERWISE SPECIFIED ALL DIMENSIONS ARE INCHES [MM] TOLERANCES EXCEPT AS NOTED INCHES | | HOLE SIZES | | DATE | |
|--|--------|------------|--------|-----------|------|
| .X | ± .10 | ϕ X | ± .10 | APPROVALS | DATE |
| .XX | ± .020 | ϕ XX | ± .015 | DRAWN | AY |
| .XXX | ± .015 | ϕ XXX | ± .010 | CHECKED | GH |
| | | | | APPROVED | |

| | | |
|-------------|---------------|--------------|
| SIZE | PART NO. | REV. |
| X | ASJ-12-XX-TJR | - |
| REF: S0002C | SCALE: NTS | SHEET 1 OF 1 |