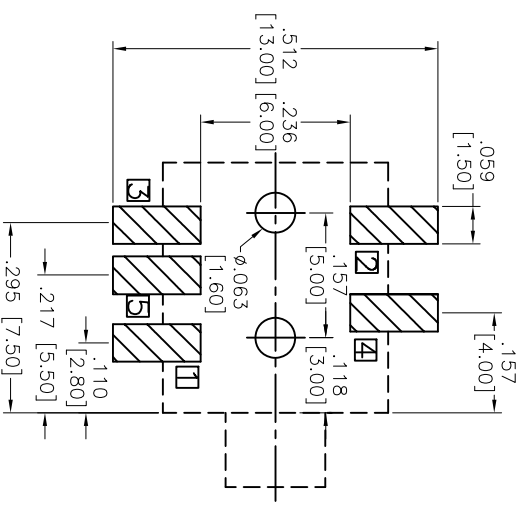
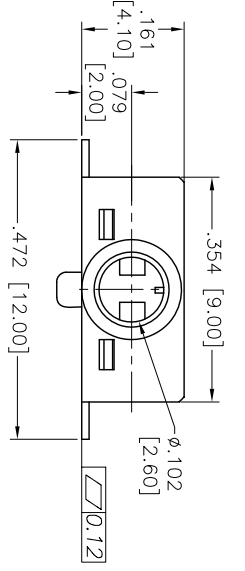
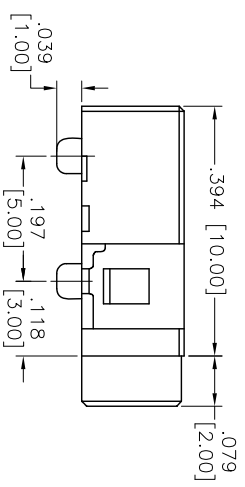
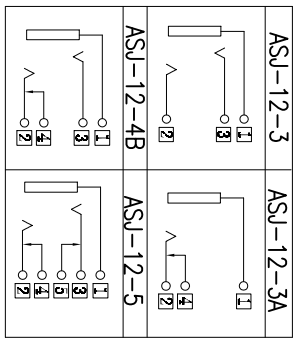
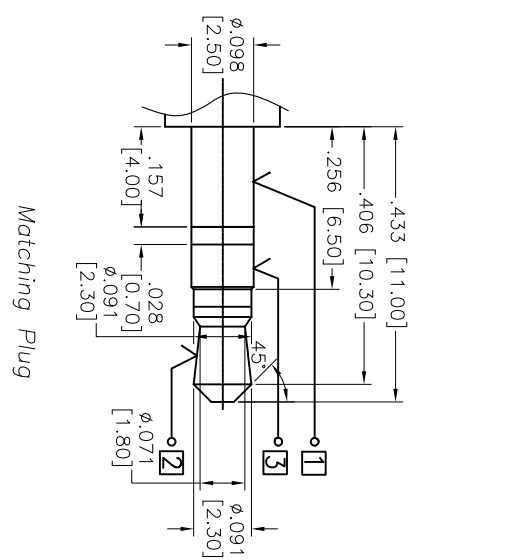
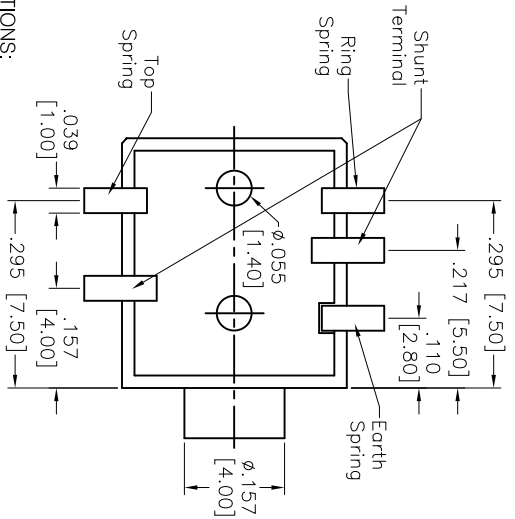


Rev	AWO #	Description	Date	Appr
-		RELEASED	12/10/04	
A		REDRAWN	12/03/07	
B		REDRAWN	6/6/14	AY/GH

APPROVED: _____
 DATE: _____ TITLE: _____



RECOMMENDED PCB LAYOUT



SPECIFICATIONS:

Material: Insulator: Hi-temp thermoplastic, rated UL 94V-0
 Insulator color: Black
 Cover: Hi-temp thermoplastic, rated UL 94V-0, color: Black
 Shunt Terminal: Brass
 Earth Spring: Phosphor Bronze
 Ring Spring: Stainless steel
 Top Spring: Stainless steel
 Plating: Gold flash over Copper underplate

Electrical: Operating voltage: 30 VDC max.
 Current rating: 0.5 Amp max.
 Contact resistance: 30 mohms max.
 Insulation resistance: 100 Mohms min.
 Dielectric withstanding voltage: 500 VAC for 1 minute

Temperature Rating: Operating temperature: -20°C to +70°C
 Environmental: Lead free, RoHS compliant.



UNLESS OTHERWISE SPECIFIED ALL DIMENSIONS ARE INCHES [MM]	
TOLERANCES EXCEPT AS NOTED	HOLE
.X ± .10	± .10
.XX ± .020	± .015
.XXX ± .015	± .010
APPROVALS	DATE
DRAWN	SS 10/4/04
CHECKED	
APPROVED	

ADAM TECH
 909 Railway Avenue, Union, NJ 07083
 Phone: 908-687-5000 Fax: 908-687-5710

TITLE: STEREO PHONE JACK, 2.5mm

SIZE: X PART NO.: ASJ-12-XX
 REF: S0002C SCALE: NTS SHEET 1 OF 1