

6

5

4

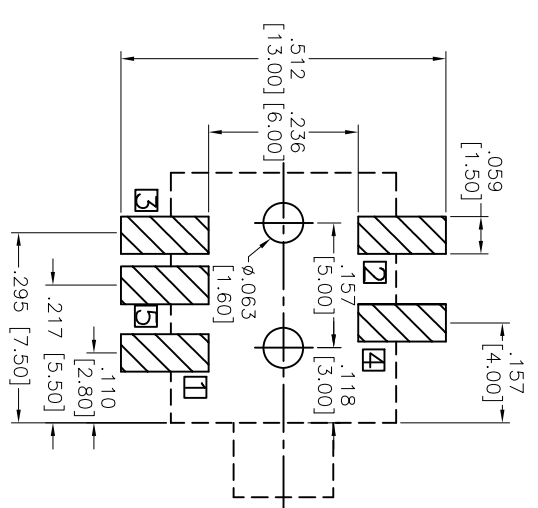
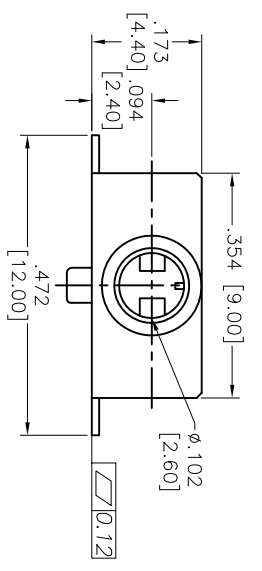
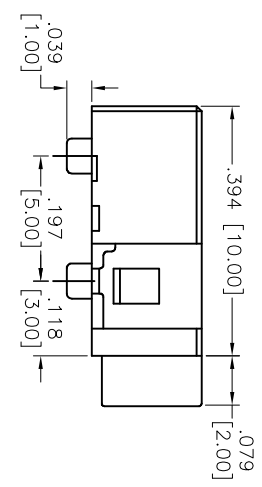
3

2

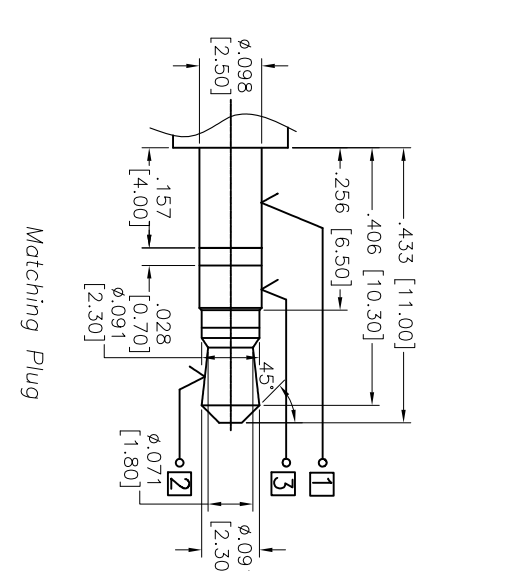
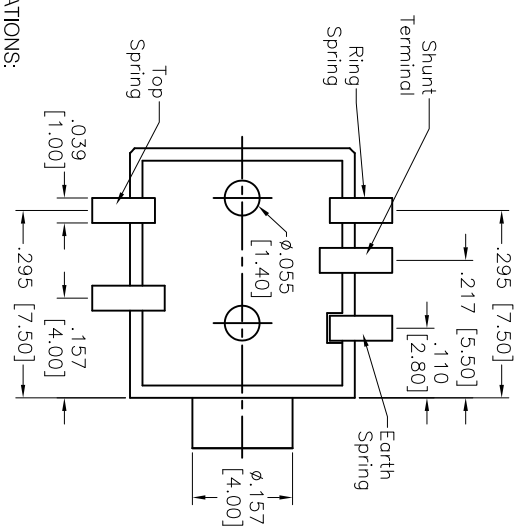
1

APPROVED: _____
 DATE: _____ TITLE: _____

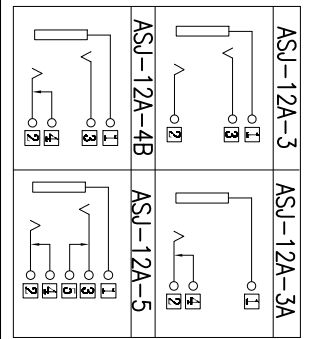
Rev	AWO #	Description	Date	Appr
-		RELEASED	11/18/11	
A		REVISED SPEC.	6/6/14	AY



RECOMMENDED PCB LAYOUT



Matching Plug



SPECIFICATIONS:
 Material: Insulator: Hi-temp thermoplastic, rated UL 94V-0
 Insulator color: Black
 Cover: Hi-temp thermoplastic, rated UL 94V-0, color: Black
 Shunt Terminal: Brass
 Earth Spring: Phosphor Bronze
 Ring Spring: Stainless steel
 Top Spring: Stainless steel

Plating: Gold flash over Copper underplate

Electrical:
 Operating voltage: 30 VDC max.
 Current rating: 0.5 Amp max.
 Contact resistance: 50 mohms max.
 Insulation resistance: 100 Mohms min.
 Dielectric withstanding voltage: 500 VAC for 1 minute

Temperature Rating:
 Operating temperature: -20°C to +70°C

Environmental:
 Lead free, RoHS compliant.



ADAM TECH
 909 Railway Avenue, Union, NJ 07083
 Phone: 908-687-5000 Fax: 908-687-5710

STEREO PHONE JACK, 2.5mm

UNLESS OTHERWISE SPECIFIED ALL DIMENSIONS ARE IN INCHES [MM]	
TOLERANCES EXCEPT AS NOTED	HOLDERS
.X ± .10	± .10
.XX ± .020	± .015
.XXX ± .015	± .010
APPROVALS	DATE
DRAWN TW	11/18/11
CHECKED AY	11/18/11
APPROVED	

SIZE	PART NO.	REV.
X	ASJ-12A-XX	A
REF: S0002C	SCALE: NTS	SHEET 1 OF 1

A

B

C

D

A

B

C

D

6

5

4

3

2

1