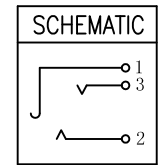
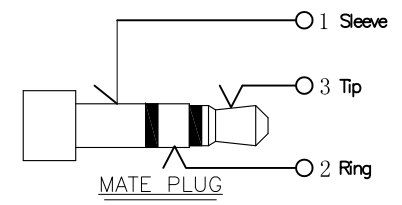
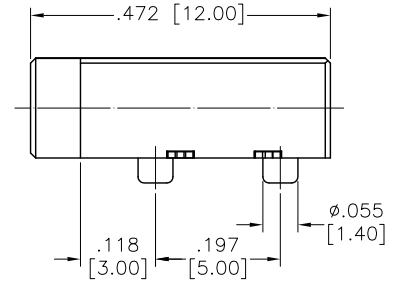
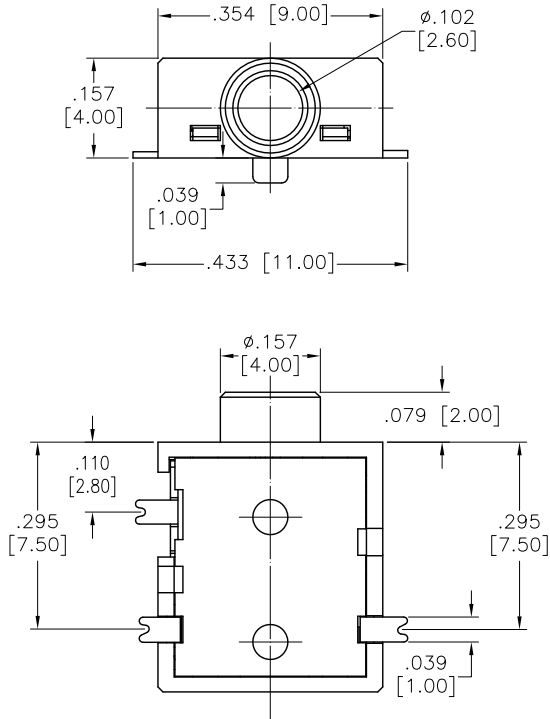
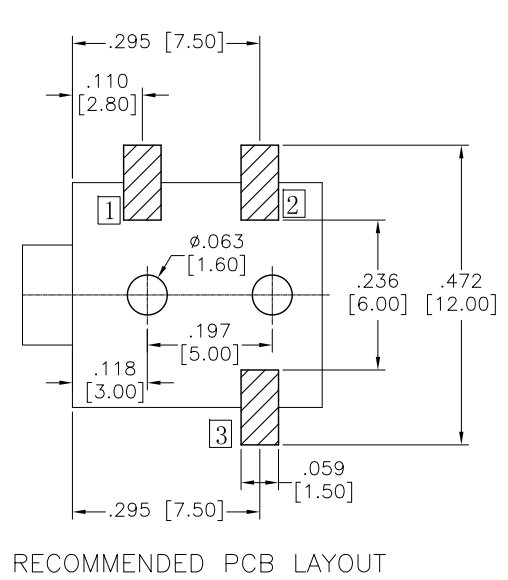


APPROVED: \_\_\_\_\_  
 DATE: \_\_\_\_\_ TITLE: \_\_\_\_\_

Rev	AWO #	Description	Date	Appr
-		RELEASED	8/14/15	



**SPECIFICATIONS:**  
 Material:  
 Insulator: Hi-temp thermoplastic, rated UL 94V-0  
 Insulator color: Black  
 Cover: Hi-temp thermoplastic, rated UL 94V-0, color: Black  
 Contact: Copper Alloy  
 Plating:  
 Silver over Copper underplate overall  
 Electrical:  
 Voltage rating: 30 VDC  
 Current rating: 0.5 A  
 Contact resistance: 0.05 Ω max.  
 Insulation resistance: 100 MΩ min. @ 250 VDC  
 Dielectric withstanding voltage: 500 VAC for 1 minute  
 Environmental:  
 Lead free, RoHS compliant.



UNLESS OTHERWISE SPECIFIED  
 ALL DIMENSIONS ARE INCHES [MM]  
 TOLERANCES: EXCEPT AS NOTED

INCHES		HOLES	
.X	± .10	∅X	± .10
.XX	± .020	∅.XX	± .015
.XXX	± .015	∅.XXX	± .010

APPROVALS		DATE
DRAWN	AY	8/14/15
CHECKED	CH	8/14/15
APPROVED		

**ADAM TECH**  
 909 Rahway Avenue, Union, NJ 07083  
 Phone: 908-687-5000 Fax: 908-687-5710

TITLE: STEREO PHONE JACK, 2.5mm

SIZE X	PART NO. ASJ-12S-3	REV. -
REF: S00102C	SCALE: NTS	SHEET 1 OF 1