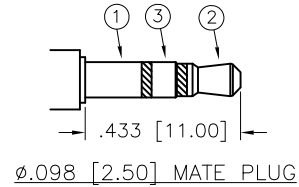
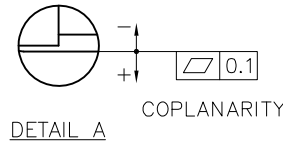
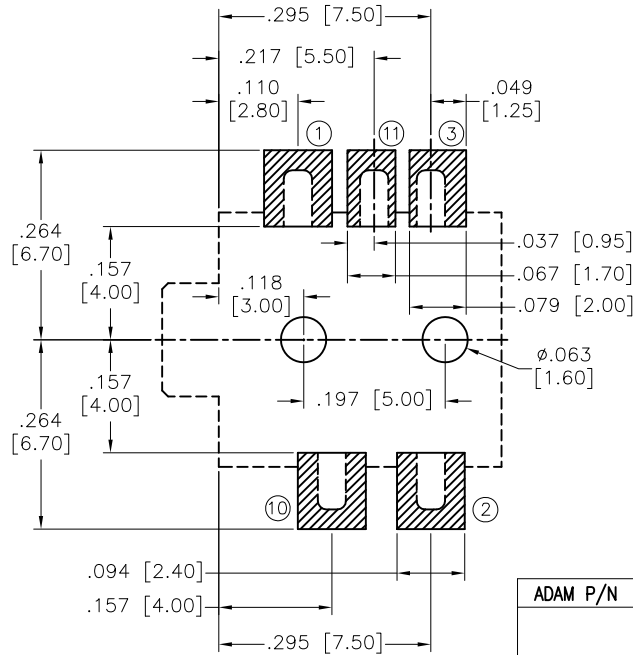
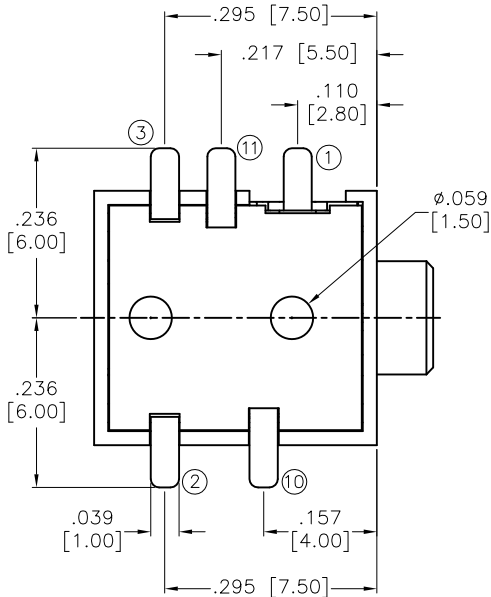
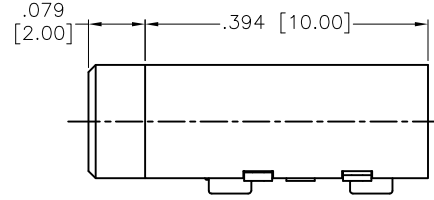
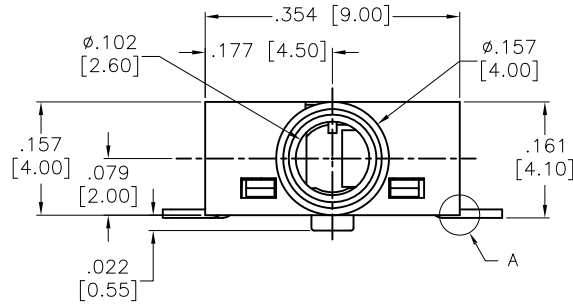
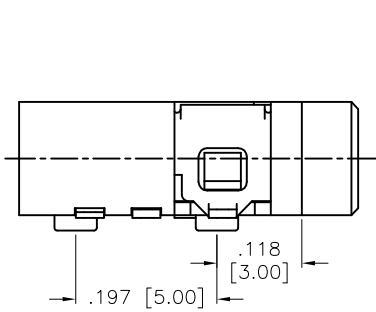


APPROVED: \_\_\_\_\_  
 DATE: \_\_\_\_\_ TITLE: \_\_\_\_\_

Rev	AWO #	Description	Date	Appr
-		RELEASED	7/20/16	



**SPECIFICATIONS:**

Material:  
 Insulator: Hi-temp thermoplastic, rated UL 94V-0, Color: Black  
 Cover: Hi-temp thermoplastic, rated UL 94V-0, Color: Black  
 Contact: Copper Alloy  
 Plating:  
 Gold flash over Nickel underplate overall  
 Electrical:  
 Voltage rating: 12 VDC max  
 Current rating: 1 A max  
 Contact resistance: 50 mΩ max.  
 Insulation resistance: 100 MΩ min. @ 500 VDC  
 Dielectric withstanding voltage: 500 Vrms for 1 minute  
 Temperature Rating:  
 Operating temperature: -25°C to +85°C  
 Environmental:  
 Lead free, RoHS compliant.



ADAM P/N	ASJ-12T-5	ASJ-12T-4A	ASJ-12T-4B	ASJ-12T-3	ASJ-12T-3A
SCHEMATIC					

UNLESS OTHERWISE SPECIFIED  
 ALL DIMENSIONS ARE INCHES [MM]  
 TOLERANCES: EXCEPT AS NOTED

INCHES	HOLES
.X ± .10	Ø.X ± .10
.XX ± .020	Ø.XX ± .015
.XXX ± .015	Ø.XXX ± .010

**ADAM TECH**

909 Rahway Avenue, Union, NJ 07083  
 Phone: 908-687-5000 Fax: 908-687-5710

APPROVALS		DATE
DRAWN	HR	7/20/16
CHECKED	LW	7/20/16
APPROVED		

TITLE		
STEREO PHONE JACK, 2.5mm		
SIZE	PART NO.	REV.
X	ASJ-12T-XX	-
REF: S00021C	SCALE: NTS	SHEET 1 OF 1