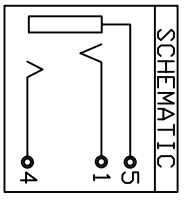
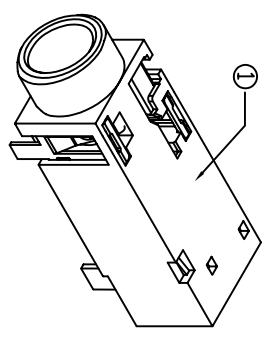
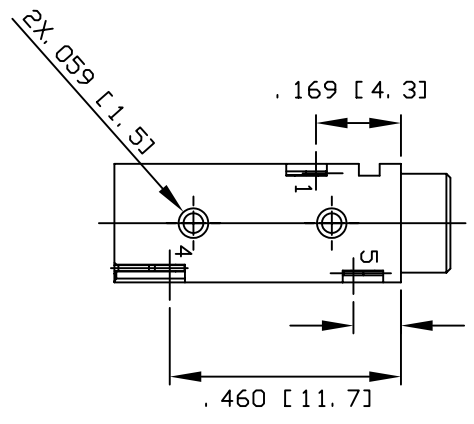
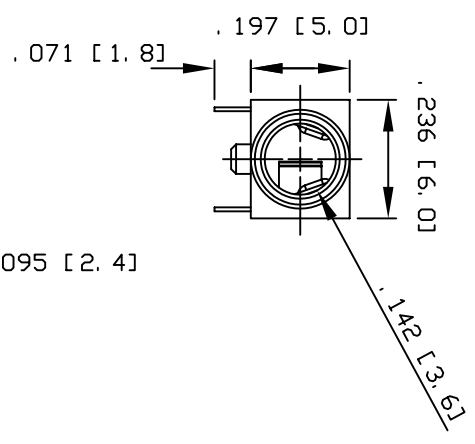
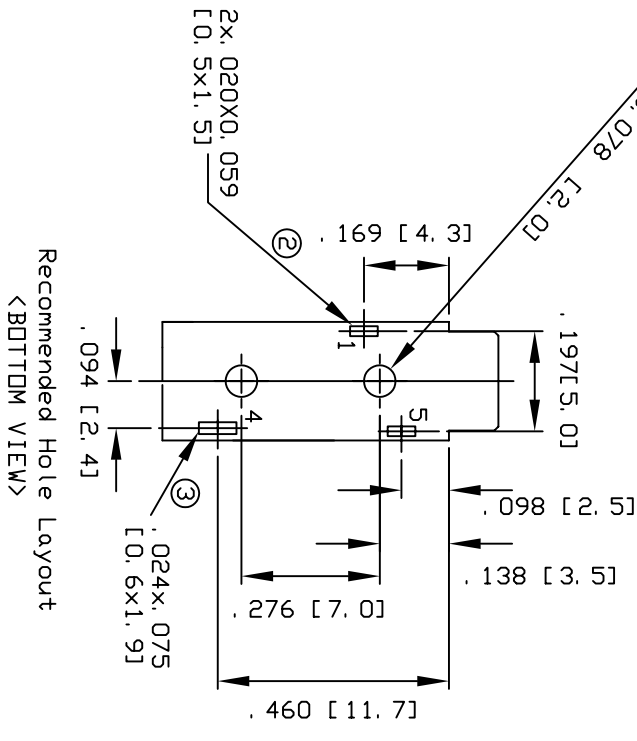
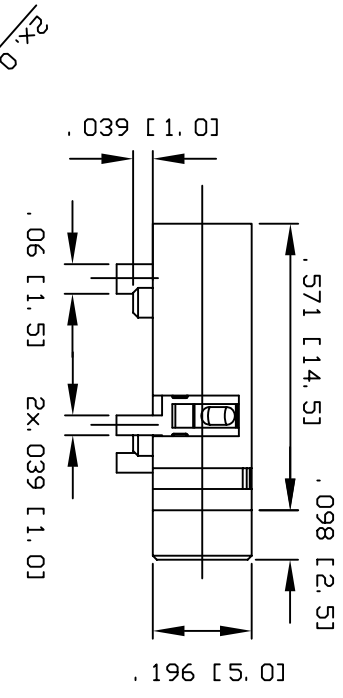


APPROVED: \_\_\_\_\_  
 DATE: \_\_\_\_\_ TITLE: \_\_\_\_\_

Rev	AWO #	Description	Date	Appr
-	5754	RELEASED	11/04/05	BAS
A		CORRECTED DIMENSIONS	12/02/05	BAS



NO.	NAME	MATERIAL	FINISH	Q'TY
1	HOUSING	NYLON PA9T	BLACK	1
2	TERMINAL	BRASS T1.0.2	TIN PLATED	2
3	TERMINAL	PHOS. BRONZE T1.0.2	TIN PLATED	1



UNLESS OTHERWISE SPECIFIED  
 ALL DIMENSIONS ARE INCHES [MM]  
 TOLERANCES: EXCEPT AS NOTED  
 INCHES: .X ± .10 ØXX ± .015  
 .XX ± .020 ØXXX ± .010  
 .XXX ± .015  
 APPROVALS: \_\_\_\_\_ DATE: 11/04/05

**ADAM TECH**  
 909 Rahway Avenue, Union, NJ 07083  
 Phone: 908-687-5000 Fax: 908-687-5710

TITLE: STEREO JACK, 3.5mm, THROUGH HOLE TERMINALS

DRAWN	BAS	11/04/05
CHECKED		
APPROVED		

SIZE	PART NO.	REV.
X	ASL-15-3-PCT	
REF:	SCALE: NTS	SHEET 1 OF 1