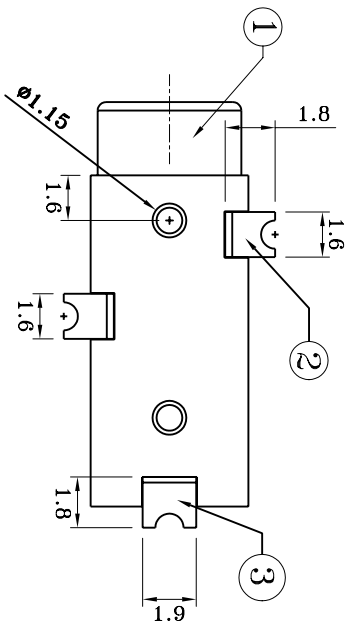
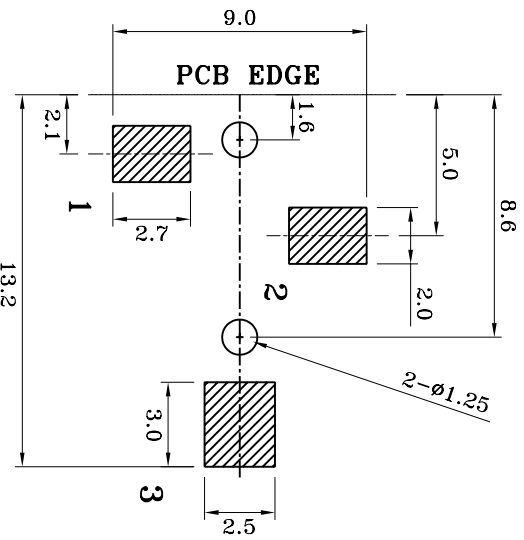
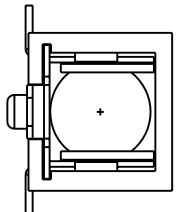
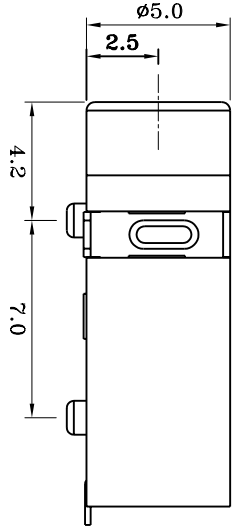
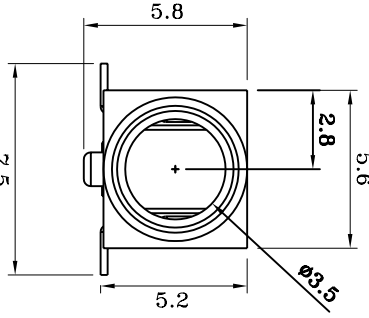
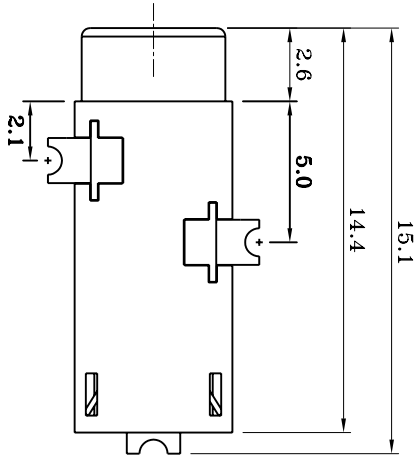
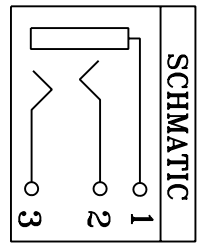


Rev	AWO #	Description	Date	Appr
-		RELEASED	7/23/04	

APPROVED: _____
 DATE: _____ TITLE: _____



NO.	NAME	MATERIAL	FINISH	Q'TY
1	HOUSING	NYLON PA9T	BLACK	1
2	TERMINAL	BRASS T:0.2	TIN PLATED	2
3	TERMINAL	PHOS.BRONZE T:0.2	TIN PLATED	1

**RECOMMENDED
 COMPONENT SIDE
 (PCB LAYOUT)**

UNLESS OTHERWISE SPECIFIED
 ALL DIMENSIONS ARE MM [INCHES]
 TOLERANCES: EXCEPT AS NOTED

.X	± .10	ØX	± .10
.XX	± .020	ØXX	± .015
.XXX	± .015	ØXXX	± .010

APPROVALS

DRAWN	SS	DATE
CHECKED		
APPROVED		

ADAM TECH
 909 Rahway Avenue, Union, NJ 07083
 Phone: 908-687-5000 Fax: 908-687-5710

TITLE
 STEREO JACK, 3.5mm, SMT, TAPE AND REEL

SIZE	PART NO.	REV.
X	ASL-15-3-SMT-T/R	-
SCALE:	NTS	SHEET 1 OF 1