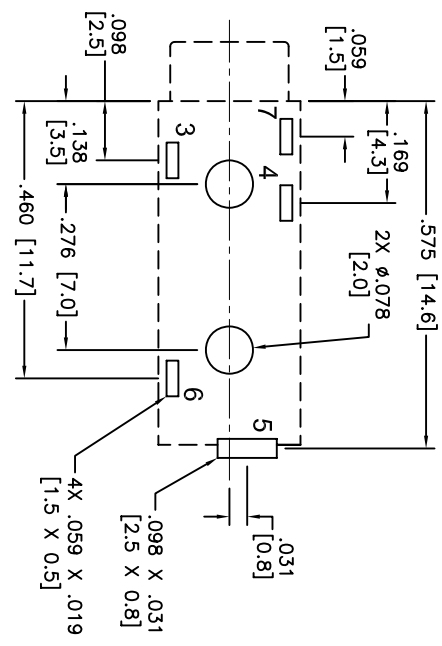
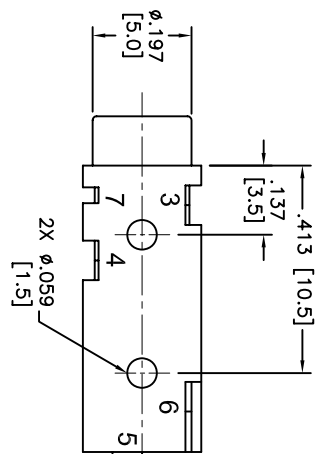
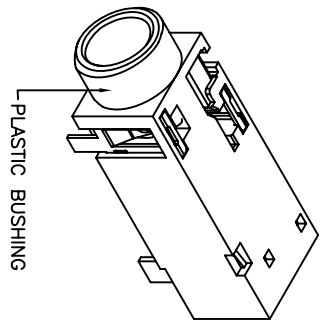
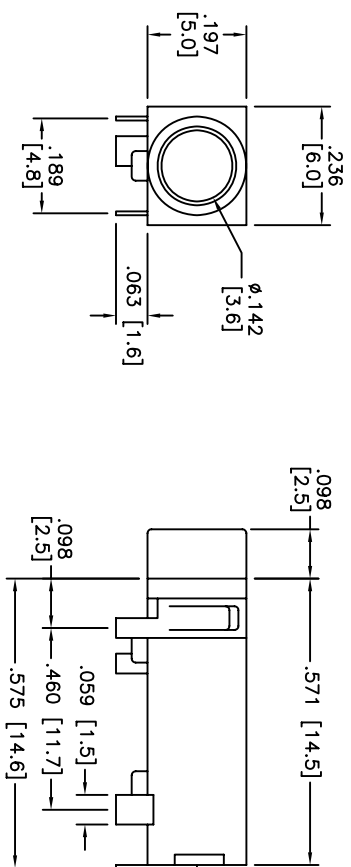


APPROVED: \_\_\_\_\_  
 DATE: \_\_\_\_\_ TITLE: \_\_\_\_\_

Rev	AWO #	Description	Date	Appr
-	5754	RELEASED	11/04/05	BAS
A		CORRECTED DIMENSIONS	12/02/05	BAS



ASJ-15-5	ASJ-15-4A	ASJ-15-4B	ASJ-15-3	ASJ-15-3C	ASJ-15-3A

**SPECIFICATIONS:**

**Material:**  
 Insulator: PBT, Glass filled, rated UL 94V-0  
 Insulator color: Black  
 Contacts: Phosphor Bronze, Tin plated  
 Plating:  
 Contact: Brass, Tin plated  
 Terminal: Brass, Tin plated  
 Barrel: Nickel plated

**Electrical:**  
 Operating voltage: 30 VDC max.  
 Current rating: 0.5 Amp max.  
 Contact resistance: 30 mohms max. initial  
 Insulation resistance: 100 Mohms min.  
 Dielectric withstanding voltage: 500 VAC for 1 minute  
 Temperature Rating:  
 Operating temperature: -40°C to +125°C

**Environmental:**  
 Lead free, RoHS compliant.  
 Recommended soldering temp: 235°C. for 5 sec.

**ADAM TECH**

909 Railway Avenue, Union, NJ 07083  
 Phone: 908-687-5000 Fax: 908-687-5710

TITLE: STEREO JACK, 3.5mm, THROUGH HOLE TERMINALS

UNLESS OTHERWISE SPECIFIED ALL DIMENSIONS ARE INCHES [MM]		TOLERANCES: EXCEPT AS NOTED	
.X	± .10	ØX	± .10
.XX	± .020	ØXX	± .015
.XXX	± .015	ØXXX	± .010
APPROVALS		DATE	
DRAWN	BAS	11/04/05	
CHECKED			
APPROVED			
SIZE	PART NO.	TITLE	
X	ASJ-15-X-PCT	STEREO JACK, 3.5mm, THROUGH HOLE TERMINALS	
REF:	SCALE: NTS	REV.	
		-	

