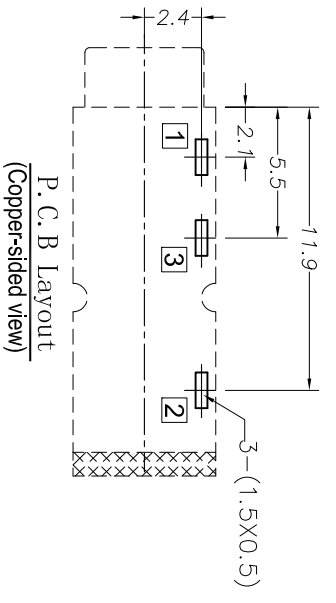
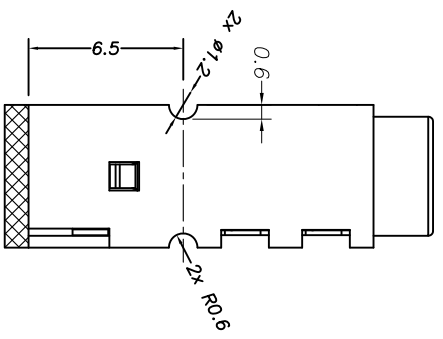
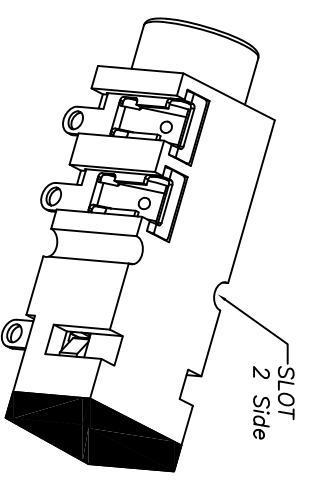
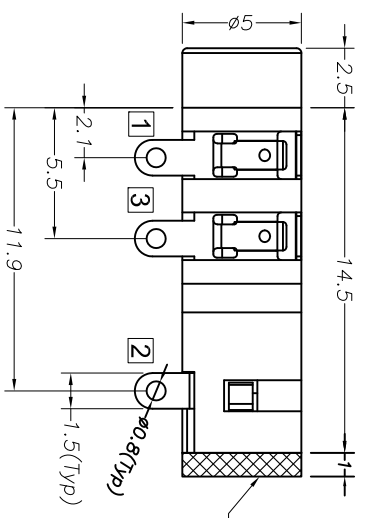
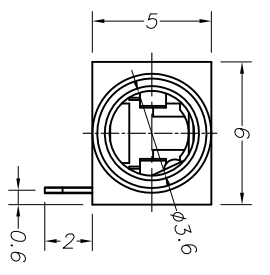


APPROVED: _____
 DATE: _____ TITLE: _____

Rev	AWO #	Description	Date	Appr
-		RELEASED	11/24/08	
A		REVISED TERMINAL PIN	4/22/09	



NOTE:
 1.0mm THICK SILICONE RUBBER GASKET
 MUST HAVE A 50% COMPRESSION RATIO
 (MUST BE ABLE TO BE COMPRESSED TO 0.5mm)

SPECIFICATIONS:

- Material: PBT, Glass filled, rated UL 94V-0
- Insulator color: Black
- Gasket: Silicone Rubber
- Contacts: Phosphor Bronze, Tin plated
- Electrical:
 - Operating voltage: 30 VDC max.
 - Current rating: 0.5 Amp max.
 - Contact resistance: 30 mohms max. initial
 - Insulation resistance: 100 Mohms min.
 - Dielectric withstanding voltage: 500 VAC for 1 minute
 - Temperature Rating:
 - Operating temperature: -40°C to +125°C
- Environmental:
 - Lead free, RoHS compliant.
 - Recommended soldering temp: 235°C for 5 sec.

SCHEMATIC	WIRE COLOR
	BLK
	WHT
	RED

UNLESS OTHERWISE SPECIFIED ALL DIMENSIONS ARE INCHES [MM]	
TOLERANCES, EXCEPT AS NOTED:	
INCHES	
.X ± .10	Ø X ± .10
.XX ± .020	Ø XX ± .015
.XXX ± .015	Ø XXX ± .010
APPROVALS	DATE
DRAWN	SS
CHECKED	
APPROVED	

ADAM TECH
 909 Rahway Avenue, Union, NJ 07083
 Phone: 908-687-5000 Fax: 908-687-5710

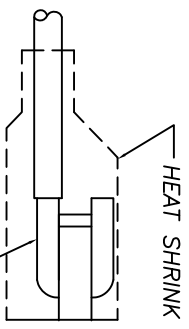
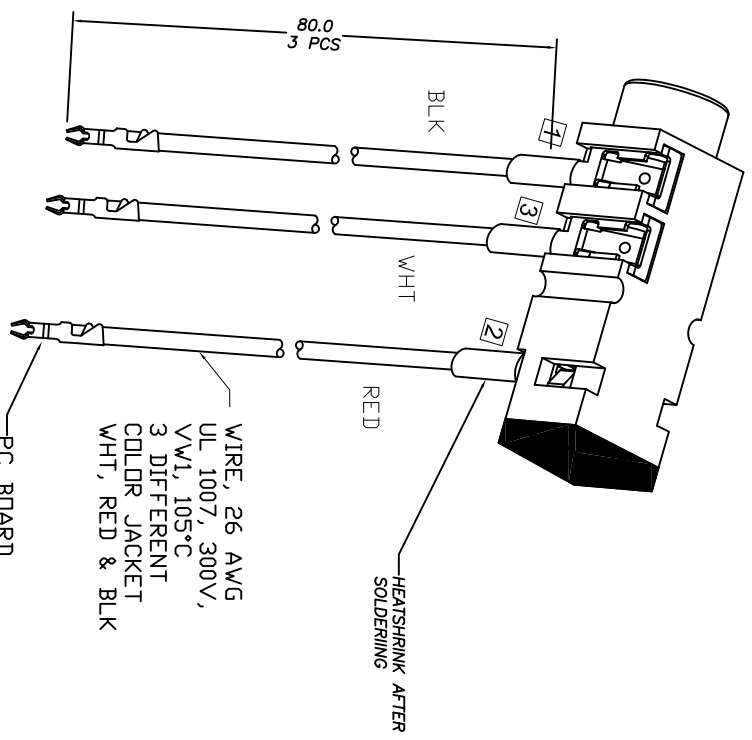
TITLE	STEREO JACK, 3.5mm, THROUGH HOLE, WITH TERMINALS (PCT-001-T)	
SIZE	PART NO.	REV.
X	ASL-15-X-SP2	A
REF:	SCALE: NTS	SHEET 1 OF 2



Rev	AWO #	Description	Date	Appr
		SEE SHIT 1 OF 2 FOR REVISION HISTORY		

APPROVED: _____
 DATE: _____ TITLE: _____

ASSEMBLY



SCHEMATIC	
	BLK WIRE WHT WIRE RED WIRE

WHITE WIRE = LEFT CHANNEL
 RED WIRE = RIGHT CHANNEL
 BLACK WIRE = COMMON

SPECIFICATIONS:
Material:
 Stereo Jack: Adam Tech P/N: ASJ-15-X-SP1
 Wires: 26 Awg, UL 1007, 300V, 105°C, VW1 Rated,
 Tinned Copper Conductors, Insulator colors Red, Black & White
 Temperature Range: -10°C to +105°C
 PCB Crimp Terminal: ADAM P/N: PCT-001-T, Tin Plated
 Heat Shrink: Polyolefin, color Black

Environmental:
 Lead free, RoHS compliant.



UNLESS OTHERWISE SPECIFIED ALL DIMENSIONS ARE INCHES [MM]	
TOLERANCES, EXCEPT AS NOTED:	
INCHES	
.X ± .10	Ø X ± .10
.XX ± .020	Ø XX ± .015
.XXX ± .015	Ø XXX ± .010
APPROVALS	DATE
DRAWN	SS
CHECKED	
APPROVED	

ADAM TECH
 909 Rahway Avenue, Union, NJ 07083
 Phone: 908-687-5000 Fax: 908-687-5710

TITLE: STEREO JACK, 3.5mm, THROUGH HOLE, WITH TERMINALS (PCT-001-T)

SIZE: X	PART NO. ASJ-15-X-SP2	REV. A
REF:	SCALE: NTS	SHEET 2 OF 2