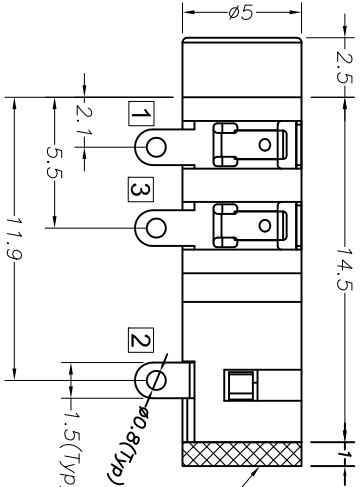
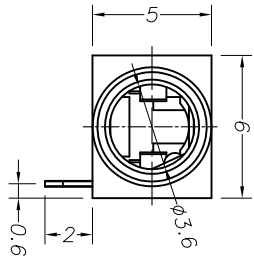
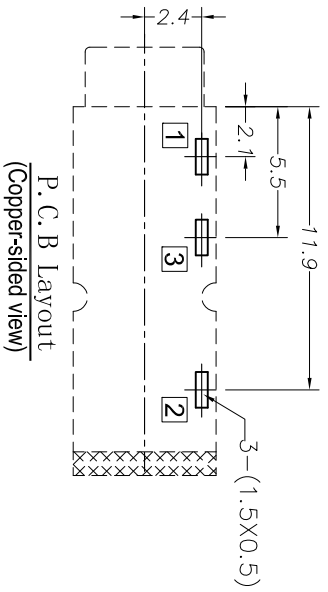
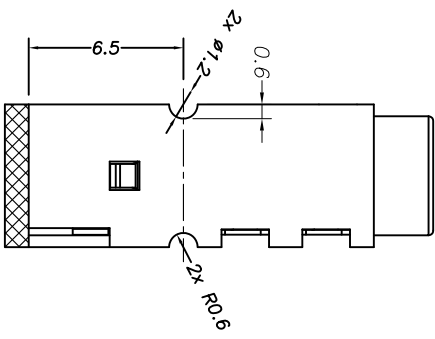
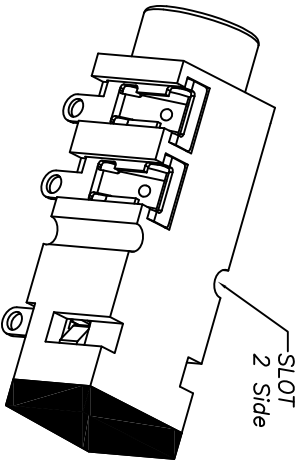


| Rev | AWO # | Description | Date | Appr |
|-----|-------|-------------|---------|------|
| - | | RELEASED | 4/22/09 | |

APPROVED: _____
 DATE: _____ TITLE: _____



0.039 [1.0mm] THICK SILICONE RUBBER ADHERED TO BACK



NOTE:
 1.0mm THICK SILICONE RUBBER GASKET MUST HAVE A 50% COMPRESSION RATIO (MUST BE ABLE TO BE COMPRESSED TO 0.5mm)

| SCHEMATIC | WIRE COLOR |
|-----------|------------|
| | BLK |
| | W/HT |
| | RED |

SPECIFICATIONS:
 Material: PBT, Glass filled, rated UL 94V-0
 Insulator color: Black
 Gasket: Silicone Rubber
 Contacts: Phosphor Bronze, Tin plated
 Electrical:
 Operating voltage: 30 VDC max.
 Current rating: 0.5 Amp max.
 Contact resistance: 30 mohms max. initial
 Insulation resistance: 100 Mohms min.
 Dielectric withstanding voltage: 500 VAC for 1 minute
 Temperature Rating:
 Operating temperature: -40°C to +125°C
 Environmental:
 Lead free, RoHS compliant.
 Recommended soldering temp: 235°C for 5 sec.

| UNLESS OTHERWISE SPECIFIED ALL DIMENSIONS ARE INCHES [MM] | |
|---|--------------|
| TOLERANCES: EXCEPT AS NOTED | |
| INCHES | MM |
| .X ± .10 | Ø X ± .10 |
| .XX ± .020 | Ø XX ± .015 |
| .XXX ± .015 | Ø XXX ± .010 |

ADAM TECH
 909 Rahway Avenue, Union, NJ 07083
 Phone: 908-687-5000 Fax: 908-687-5710

TITLE: STEREO JACK, 3.5mm, THROUGH HOLE, WITH TERMINALS (PCT-003-T)

| APPROVALS | DATE |
|-----------|---------|
| DRAWN | 4/22/09 |
| CHECKED | |
| APPROVED | |

| SIZE | PART NO. | REV. |
|------|--------------|------|
| X | ASL-15-X-SP3 | - |

SCALE: NTS SHEET 1 OF 2

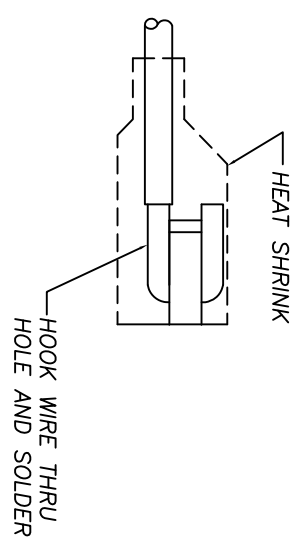
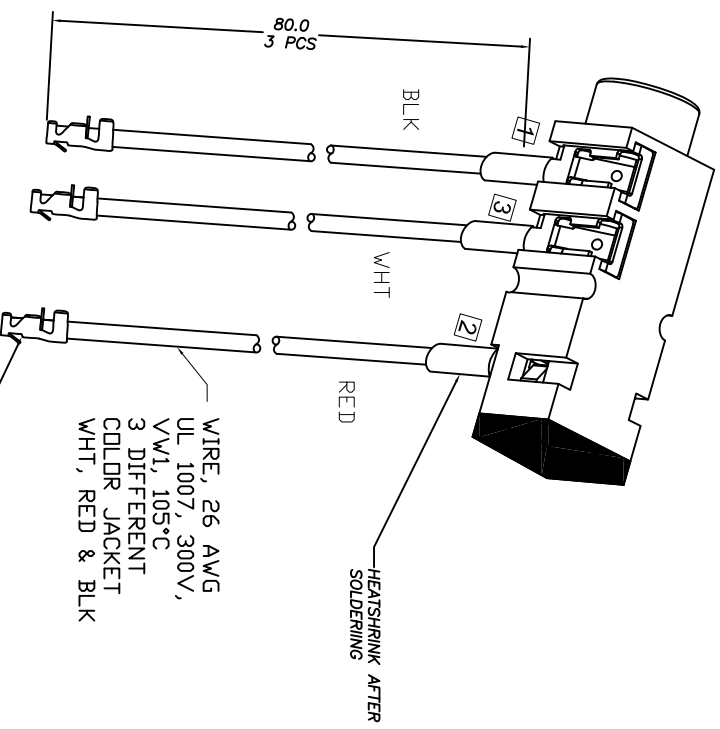


APPROVED: _____

DATE: _____ TITLE: _____

| Rev | AWO # | Description | Date | Appr |
|-----|-------|-------------------------------------|------|------|
| | | SEE SHT 1 OF 2 FOR REVISION HISTORY | | |

ASSEMBLY



| | |
|-----------|----------|
| SCHEMATIC | |
| | BLK WIRE |
| | WHT WIRE |
| | RED WIRE |

WHITE WIRE = LEFT CHANNEL
 RED WIRE = RIGHT CHANNEL
 BLACK WIRE = COMMON

SPECIFICATIONS:
 Material:
 Stereo Jack: Adam Tech P/N: ASJ-15-X-SP1
 Wires: 26 Awg, UL 1007, 300V, 105°C, VW1 Rated,
 Tinned Copper Conductors, Insulator colors Red, Black & White
 Temperature Range: -10°C to +105°C
 PCB Crimp Terminal: ADAM P/N: PCT-003-T, Tin Plated
 or approved equivalent
 Heat Shrink: Polyolefin, color Black
Environmental:
 Lead free, RoHS compliant.

ROHS COMPLIANT

| | |
|--|--------------|
| UNLESS OTHERWISE SPECIFIED ALL DIMENSIONS ARE INCHES (MM) | |
| TOLERANCES: EXCEPT AS NOTED | |
| INCHES | HOLES |
| .X ± .10 | Ø X ± .10 |
| .XX ± .020 | Ø XX ± .015 |
| .XXX ± .015 | Ø XXX ± .010 |
| APPROVALS | DATE |
| DRAWN | DT |
| 4/22/09 | |
| CHECKED | |
| APPROVED | |

| | |
|--|--|
| <p>ADAM TECH 909 Rahway Avenue, Union, NJ 07083 Phone: 908-687-5000 Fax: 908-687-5710</p> | |
| TITLE | STEREO JACK, 3.5mm, THROUGH HOLE, WITH TERMINALS (PCT-003-T) |
| SIZE | X |
| PART NO. | ASJ-15-X-SP3 |
| SCALE: | NTS |
| SHEET | 2 OF 2 |