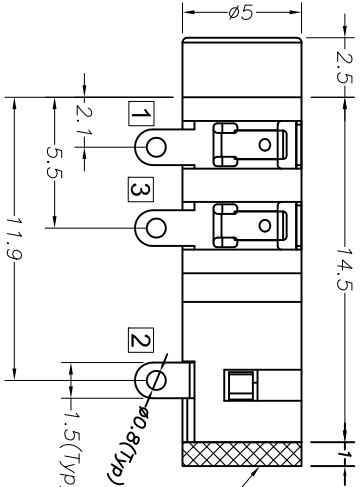
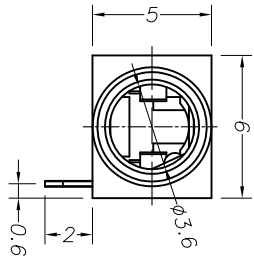
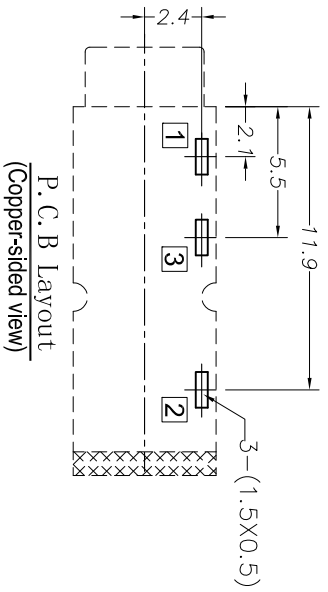
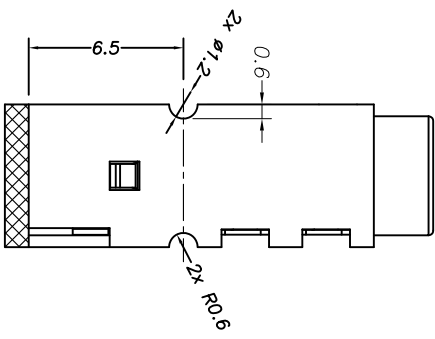
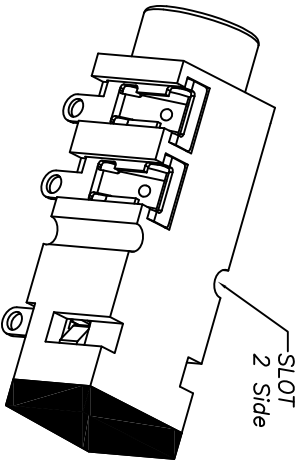


Rev	AWO #	Description	Date	Appr
-		RELEASED	4/22/09	

APPROVED: _____
 DATE: _____ TITLE: _____



0.039 [1.0mm] THICK SILICONE RUBBER ADHERED TO BACK



NOTE:
 1.0mm THICK SILICONE RUBBER GASKET MUST HAVE A 50% COMPRESSION RATIO (MUST BE ABLE TO BE COMPRESSED TO 0.5mm)

SPECIFICATIONS:

- Material: Insulator: PBT, Glass filled, rated UL 94V-0
- Insulator color: Black
- Gasket: Silicone Rubber
- Contacts: Phosphor Bronze, Tin plated
- Electrical: Operating voltage: 30 VDC max.
- Current rating: 0.5 Amp max.
- Contact resistance: 30 mohms max. initial
- Insulation resistance: 100 Mohms min.
- Dielectric withstanding voltage: 500 VAC for 1 minute
- Temperature Rating: Operating temperature: -40°C to +125°C
- Environmental: Lead free, RoHS compliant.
- Recommended soldering temp: 235°C for 5 sec.

SCHEMATIC	WIRE COLOR
	BLK
	WHT
	RED

UNLESS OTHERWISE SPECIFIED ALL DIMENSIONS ARE INCHES [MM]	
TOLERANCES: EXCEPT AS NOTED	
INCHES	MM
.X ± .10	Ø X ± .10
.XX ± .020	Ø XX ± .015
.XXX ± .015	Ø XXX ± .010

ADAM TECH
 909 Rahway Avenue, Union, NJ 07083
 Phone: 908-687-5000 Fax: 908-687-5710

APPROVALS	DATE
DRAWN	4/22/09
CHECKED	
APPROVED	

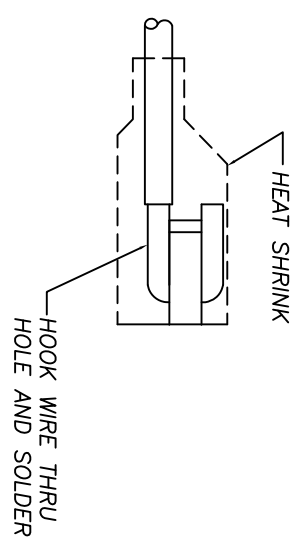
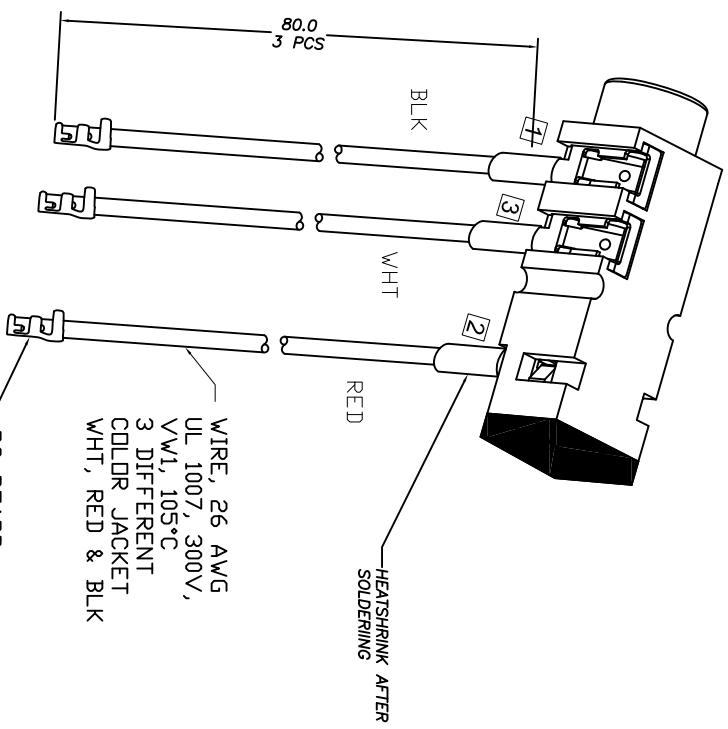
TITLE	SIZE	PART NO.	REV.
STEREO JACK, 3.5mm, THROUGH HOLE, WITH TERMINALS (PCT-002-T)	X	ASL-15-X-SP4	-

APPROVED: _____

DATE: _____ TITLE: _____

Rev	AWO #	Description	Date	Appr
		SEE SHT 1 OF 2 FOR REVISION HISTORY		

ASSEMBLY



SCHEMATIC	
	BLK WIRE
	WHT WIRE
	RED WIRE

WHITE WIRE = LEFT CHANNEL
 RED WIRE = RIGHT CHANNEL
 BLACK WIRE = COMMON

SPECIFICATIONS:

Material:

Stereo Jack: Adam Tech P/N: ASJ-15-X-SP1

Wires: 26 Awg, UL 1007, 300V, 105°C, VW1 Rated,

Tinned Copper Conductors, Insulator colors Red, Black & White

Temperature Range: -10° C to +105° C

PCB Crimp Terminal: ADAM P/N: PCT-002-T, Tin Plated

Heat Shrink: Polyolefin, color Black

Environmental:

Lead free, RoHS compliant.



UNLESS OTHERWISE SPECIFIED
 ALL DIMENSIONS ARE INCHES (MM)
 TOLERANCES: EXCEPT AS NOTED

INCHES	HOLES
.X ± .10	Ø X ± .10
.XX ± .020	Ø XX ± .015
.XXX ± .015	Ø XXX ± .010

APPROVALS

DATE
4/22/09

ADAM TECH
 909 Rahway Avenue, Union, NJ 07083
 Phone: 908-687-5000 Fax: 908-687-5710

TITLE: STEREO JACK, 3.5mm, THROUGH HOLE, WITH TERMINALS (PCT-002-T)

DRAWN	DT	4/22/09
CHECKED		
APPROVED		

SIZE	PART NO.	SCALE:	MTS	SHEET	2 OF 2
X	ASJ-15-X-SP4				
REF:					