

Rev	AWO #	Description	Date	Appr
-		RELEASED	9/21/09	

6

5

4

3

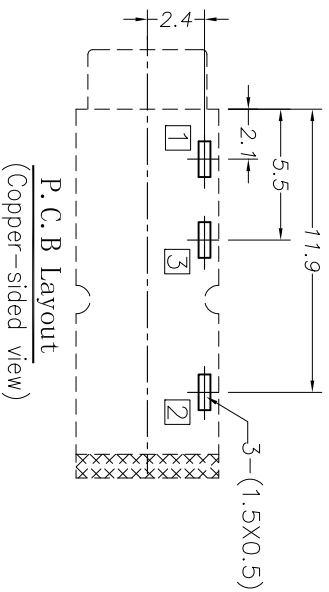
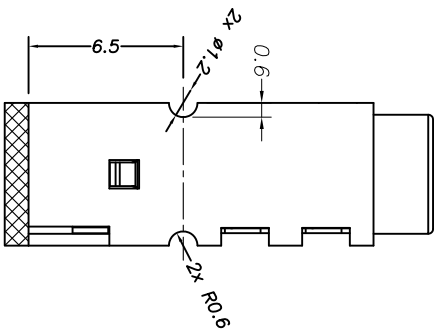
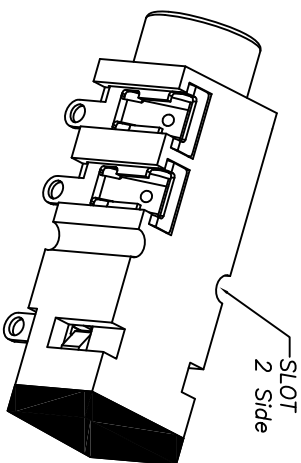
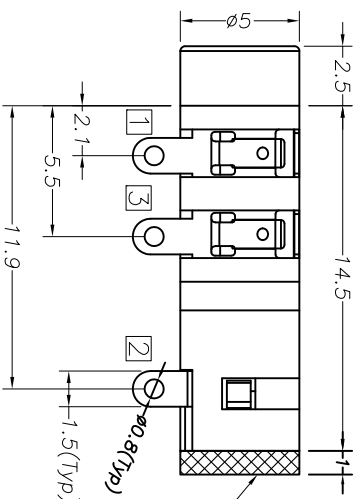
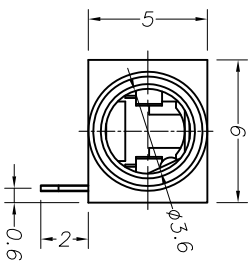
2

1

APPROVED: \_\_\_\_\_

DATE: \_\_\_\_\_

TITLE: \_\_\_\_\_



**NOTE:**  
1.0mm THICK SILICONE RUBBER GASKET  
MUST HAVE A 50% COMPRESSION RATIO  
(MUST BE ABLE TO BE COMPRESSED TO 0.5mm)

D

C

B

A

**SPECIFICATIONS:**

- Material: Insulator: PBT, Glass filled, rated UL 94V-0
- Insulator color: Black
- Gasket: Silicone Rubber
- Contacts: Phosphor Bronze, Tin plated
- Electrical: Operating voltage: 30 VDC max.
- Current rating: 0.5 Amp max.
- Contact resistance: 30 mohms max. initial
- Insulation resistance: 100 Mohms min.
- Dielectric withstanding voltage: 500 VAC for 1 minute
- Temperature Rating: Operating temperature: -40°C to +125°C
- Environmental: Lead free, RoHS compliant.
- Recommended soldering temp: 235°C for 5 sec.

SCHEMATIC	WIRE COLOR
	BLK
	W/HT
	RED

UNLESS OTHERWISE SPECIFIED  
ALL DIMENSIONS ARE INCHES [MM]  
TOLERANCES: EXCEPT AS NOTED:  
INCHES: .X ± .10  
.XX ± .020  
.XXX ± .015  
HOLE: Ø X ± .10  
Ø XX ± .015  
Ø XXX ± .010

APPROVALS	DATE
DRAWN	9/21/09
CHECKED	
APPROVED	

**ADAM TECH**  
909 Rahway Avenue, Union, NJ 07083  
Phone: 908-687-5000 Fax: 908-687-5710

TITLE: STEREO JACK, 3.5mm, THROUGH HOLE, WITH TERMINALS (PCT-006-T)

SIZE: X  
PART NO.: ASL-15-X-SP7

SCALE: NTS  
SHEET 1 OF 2

6

5

4

3

2

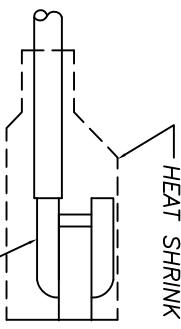
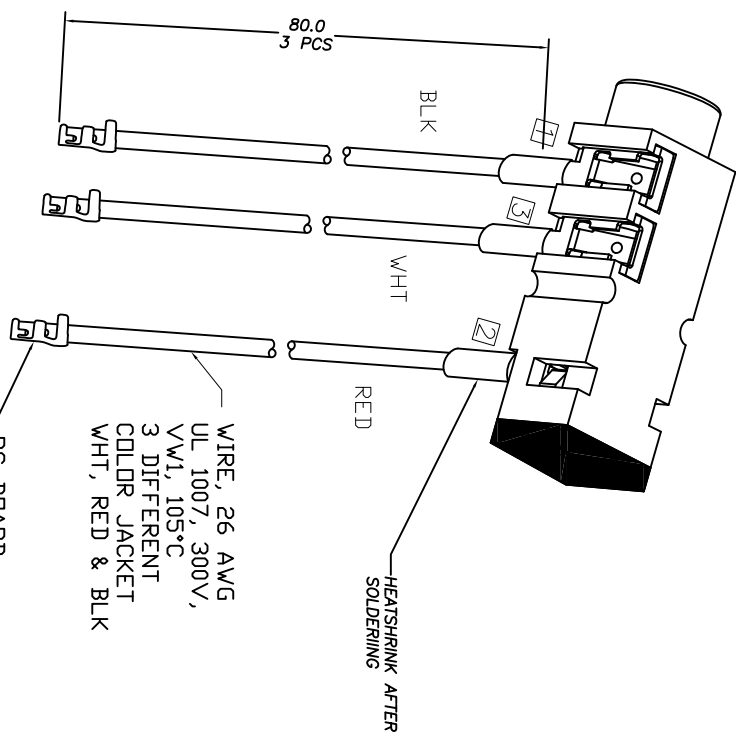
1



Rev	AWO #	Description	Date	Appr
		SEE SHIT 1 OF 2 FOR REVISION HISTORY		

APPROVED: \_\_\_\_\_  
 DATE: \_\_\_\_\_ TITLE: \_\_\_\_\_

# ASSEMBLY



SCHEMATIC	
	BLK WIRE
	WHT WIRE
	RED WIRE

WHITE WIRE = LEFT CHANNEL  
 RED WIRE = RIGHT CHANNEL  
 BLACK WIRE = COMMON

**SPECIFICATIONS:**

**Material:**

Stereo Jack: Adam Tech P/N: ASJ-15-X-SP1

Wires: 26 Awg, UL 1007, 300V, 105°C, VW1 Rated,

Tinned Copper Conductors, Insulator colors Red, Black & White

Temperature Range: -10°C to +105°C

PCB Crimp Terminal: ADAM P/N: PCT-006-T, Tin Plated

Heat Shrink: Polyolefin, color Black

**Environmental:**

Lead free, RoHS compliant.



UNLESS OTHERWISE SPECIFIED ALL DIMENSIONS ARE INCHES [MM]	
TOLERANCES, EXCEPT AS NOTED:	
.X ± .10	Ø X ± .10
.XX ± .020	Ø XX ± .015
.XXX ± .015	Ø XXX ± .010
APPROVALS	DATE
DRAWN	DT
CHECKED	
APPROVED	

**ADAM TECH**  
 909 Rahway Avenue, Union, NJ 07083  
 Phone: 908-687-5000 Fax: 908-687-5710

TITLE: STEREO JACK, 3.5mm, THROUGH HOLE, WITH TERMINALS (PCT-006-T)

SIZE: X	PART NO. ASJ-15-X-SP7	SCALE: NTS	SHEET 2 OF 2
REV: -			