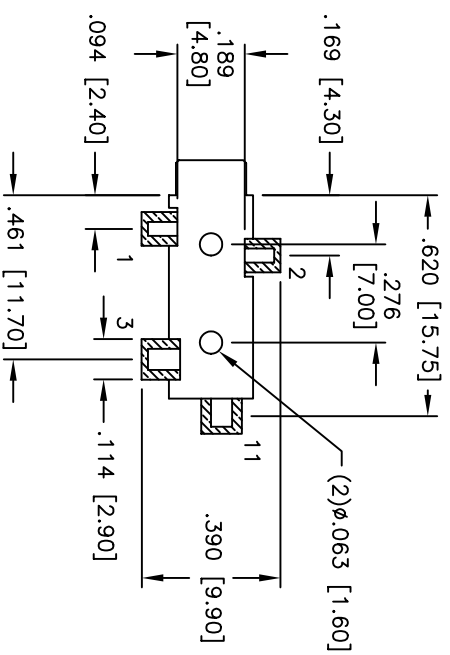
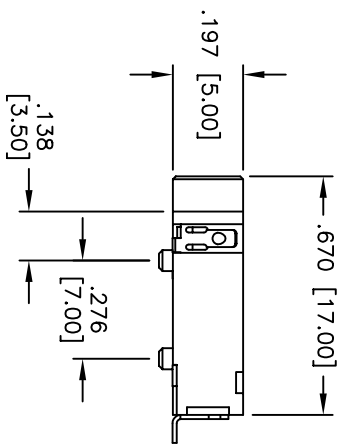
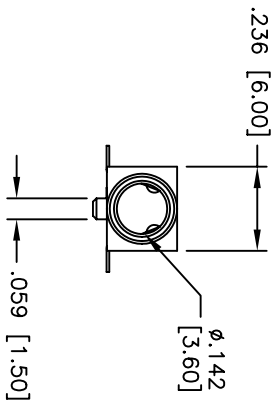
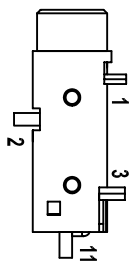


Rev	AWO #	Description	Date	Appr
-		RELEASED	04/19/05	

APPROVED: _____
 DATE: _____ TITLE: _____



PCB LAYOUT



CONTACT FORM	FORM 2	FORM 3	FORM 4A
SCHEMATIC			

SPECIFICATIONS:

Material: Insulator: PBT, Glass reinforced, rated UL 94V-0

Insulator color: Black

Contacts: Copper Alloy

Plating:

Tin over Copper underplate

Electrical:

Operating voltage: 12 VDC max.

Contact rating: 1 Amp max.

Contact resistance: 30 mohms max. initial

Insulation resistance: 100 Mohms min.

Dielectric withstanding voltage: 500 VAC for 1 minute

Temperature Rating:

Operating temperature: -65°C to +125°C

Environmental:

Lead free, RoHS compliant.

Recommended soldering temp: 260 for 5 sec.



ADAM TECH

909 Rahway Avenue, Union, NJ 07083
 Phone: 908-687-5000 Fax: 908-687-5710

TITLE: STEREO JACK, 3.5mm, RIGHT ANGLE SURFACE MOUNT

UNLESS OTHERWISE SPECIFIED ALL DIMENSIONS ARE INCHES [MM]		TOLERANCES: EXCEPT AS NOTED	
INCHES	± .10	HOLE	± .10
.XX	± .020	ØXXX	± .015
.XXX	± .015	ØXXX	± .010
APPROVALS	DATE	DATE	DATE
DRAWN	SS	04/19/05	
CHECKED			
APPROVED			
SIZE	PART NO.	SCALE	REV.
X	ASL-15-XX-SMT	MKS	-
REF:		SHEET	1 OF 1