

Rev	AWO #	Description	Date	Appr
-		RELEASED	1/6/14	

6

5

4

3

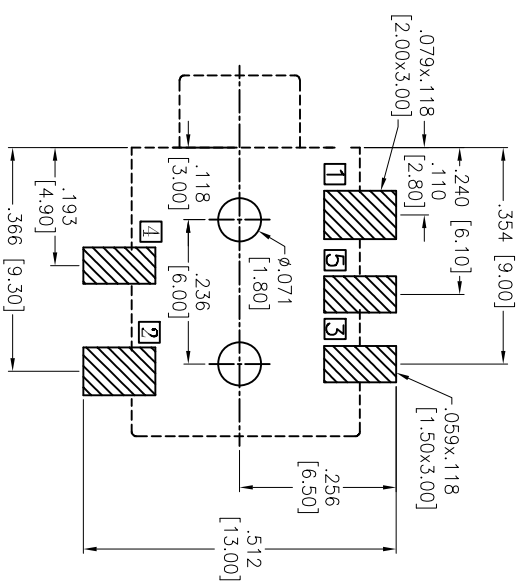
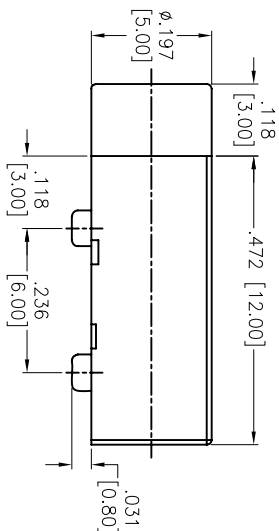
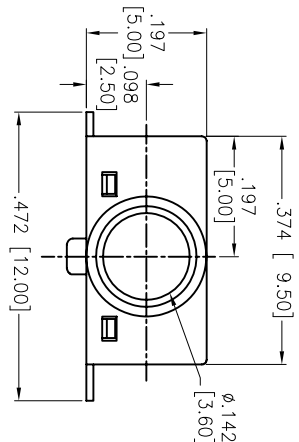
2

1

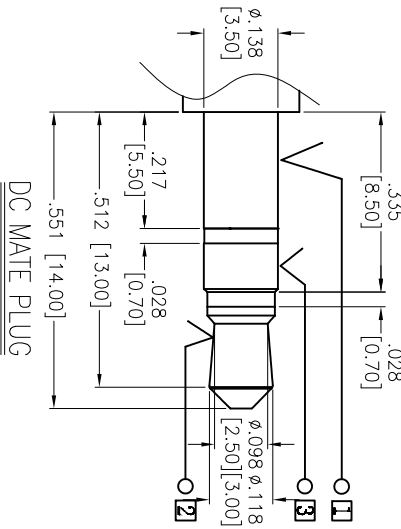
APPROVED: _____

DATE: _____

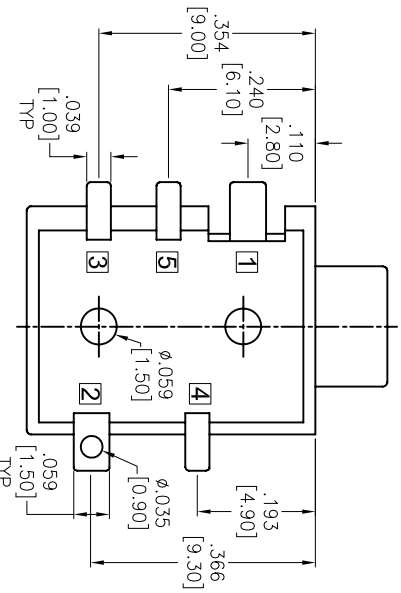
TITLE: _____



RECOMMENDED PCB LAYOUT
TOP VIEW



DC MATE PLUG



PACKAGED ON TAPE & REEL

SCHEMATIC

ASJ-16-5-SMT-T/R	ASJ-16-4A-SMT-T/R	ASJ-16-4B-SMT-T/R	ASJ-16-3-SMT-T/R	ASJ-16-3A-SMT-T/R

ADAM TECH

909 Railway Avenue, Union, NJ 07083
Phone: 908-687-5000 Fax: 908-687-5710

STEREO JACK, 3.5mm, RIGHT ANGLE
SURFACE MOUNT

SPECIFICATIONS:
Material: Insulator: Hi-temp thermoplastic, rated UL 94V-0
Insulator color: Black
Contacts: Phosphor Bronze
Plating: Gold flash over Nickel underplate overall
Electrical: Operating voltage: 30 VDC max.
Current rating: 0.5 Amp max.
Contact resistance: 30 Mohms max.
Insulation resistance: 100 Mohms min.
Dielectric withstanding voltage: 500 VAC for 1 minute
Temperature Rating: Operating temperature: -20°C to +70°C
Environmental: Lead free, RoHS compliant.



6

5

4

3

2

1

UNLESS OTHERWISE SPECIFIED ALL DIMENSIONS ARE INCHES [MM] TOLERANCES: EXCEPT AS NOTED INCHES		HOLE SIZES		DATE	
.X	± .10	ØXX	± .10	APPROVALS	DATE
.XX	± .020	ØXXX	± .015	DRAWN	AY
.XXX	± .015	ØXXXX	± .010	CHECKED	SL
DRAWN		DATE		APPROVED	
SIZE		PART NO.		TITLE	
X		ASJ-16-X-SMT-T/R		STEREO JACK, 3.5mm, RIGHT ANGLE SURFACE MOUNT	
REF: S0002C		SCALE: NTS		REV.	
				SHEET 1 OF 1	