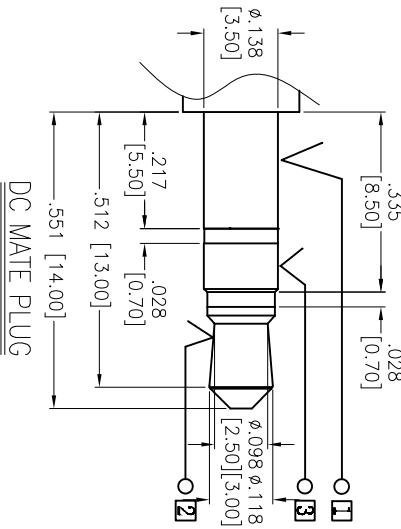
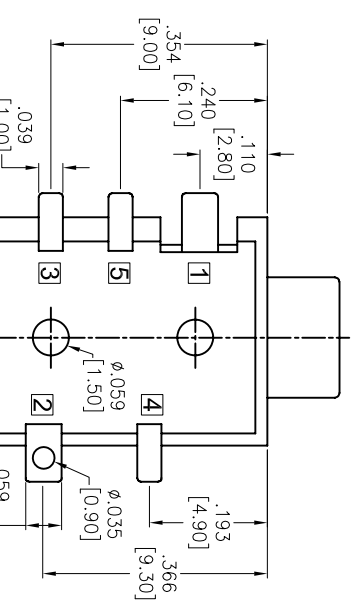
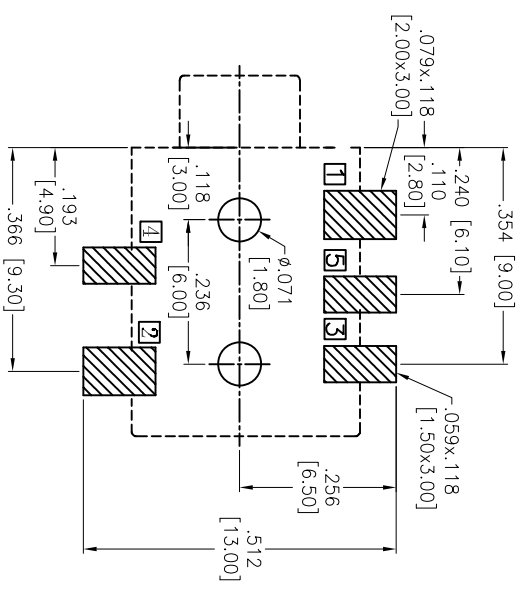
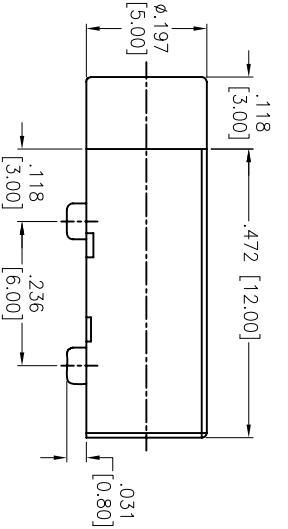
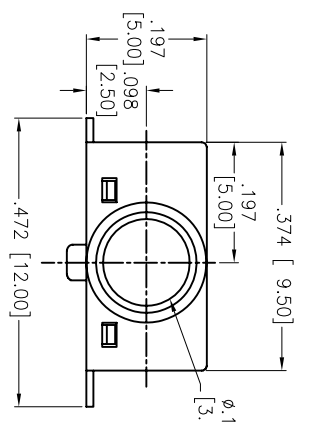


APPROVED: _____
 DATE: _____ TITLE: _____

Rev	AWO #	Description	Date	Appr
-		RELEASED	11/22/10	
A		REDRAWN	02/01/12	



SCHEMATIC

ASJ-16-5-SMT	ASJ-16-4A-SMT	ASJ-16-4B-SMT	ASJ-16-3-SMT	ASJ-16-3A-SMT

ADAM TECH

909 Railway Avenue, Union, NJ 07083
 Phone: 908-687-5000 Fax: 908-687-5710

TITLE: STEREO JACK, 3.5mm, RIGHT ANGLE SURFACE MOUNT

SPECIFICATIONS:
 Material: Insulator: Hi-temp thermoplastic, rated UL 94V-0
 Insulator color: Black
 Contacts: Phosphor Bronze
 Plating: Gold flash over Nickel underplate overall
 Electrical: Operating voltage: 30 VDC max.
 Current rating: 0.5 Amp max.
 Contact resistance: 30 Mohms max.
 Insulation resistance: 100 Mohms min.
 Dielectric withstanding voltage: 500 VAC for 1 minute
 Temperature Rating: Operating temperature: -20°C to +70°C
 Environmental: Lead free, RoHS compliant.

