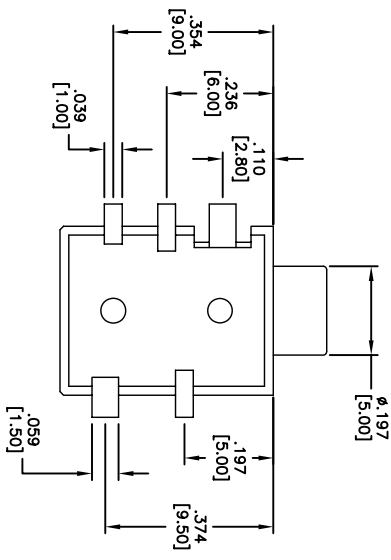
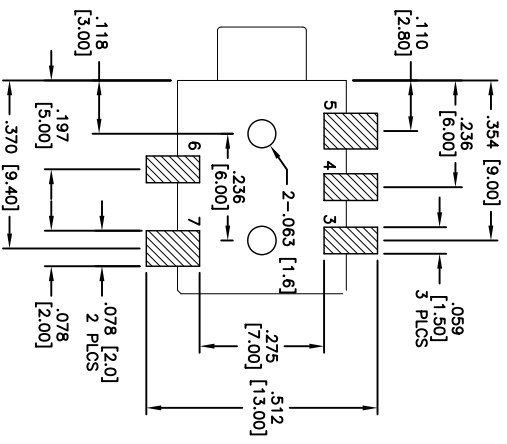
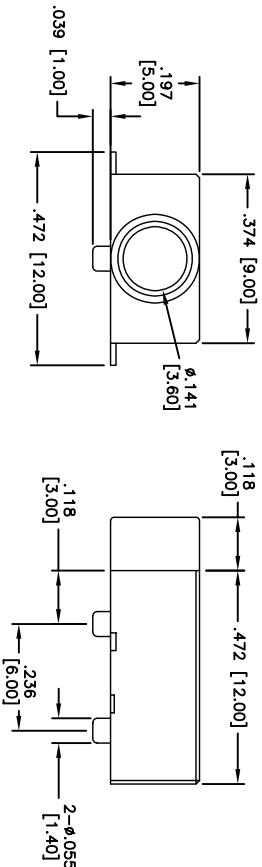


Rev	AWO #	Description	Date	Appr
-		RELEASED	2/27/06	

APPROVED: _____
 DATE: _____ TITLE: _____



SCHEMATIC

ASJ-16-5	ASJ-16-4B	ASJ-16-3	ASJ-16-3A

SPECIFICATIONS:
 Material: Insulator: Hi-Temp Nylon, rated UL 94V-0
 Insulator color: Black
 Contacts: Copper Alloy
 Plating: Tin over Copper underplate
 Electrical: Operating voltage: 12 VDC max.
 Current rating: 1 Amp max.
 Contact resistance: 30 mohms max. initial
 Insulation resistance: 100 Mohms min.
 Dielectric withstanding voltage: 500 VAC for 1 minute
 Temperature Rating: Operating temperature: -65°C to +125°C
 Environmental: Lead free, RoHS compliant.
 Recommended soldering temp: 260 for 5 sec.



UNLESS OTHERWISE SPECIFIED ALL DIMENSIONS ARE INCHES [MM]	
TOLERANCES: EXCEPT AS NOTED	
INCHES	HOLDS
.X ± .10	ØX ± .10
.XX ± .020	ØXX ± .015
.XXX ± .015	ØXXX ± .010
APPROVALS	DATE
DRAWN	SS
CHECKED	
APPROVED	

ADAM TECH
 909 Railway Avenue, Union, NJ 07083
 Phone: 908-687-5000 Fax: 908-687-5710

TITLE: STEREO JACK	
SIZE	PART NO.
X	ASJ-16-XX
REF:	SCALE: NTS
	SHEET 1 OF 1
	REV.