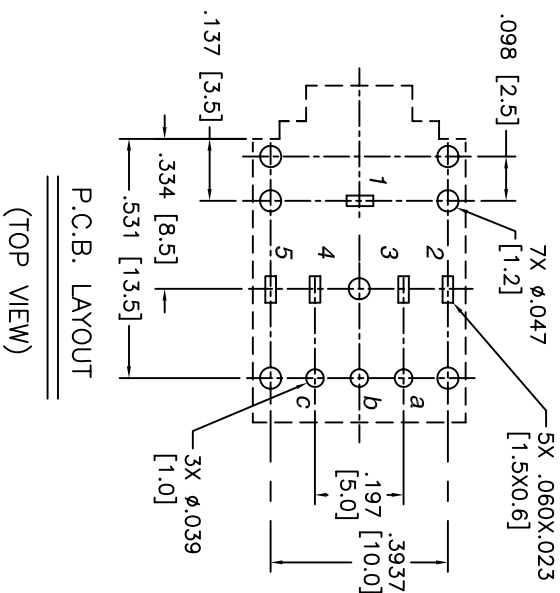
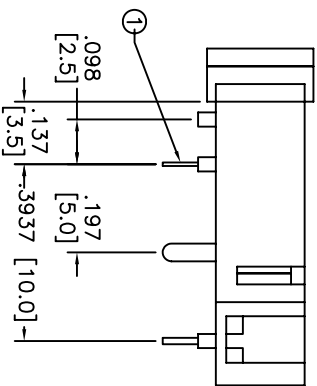
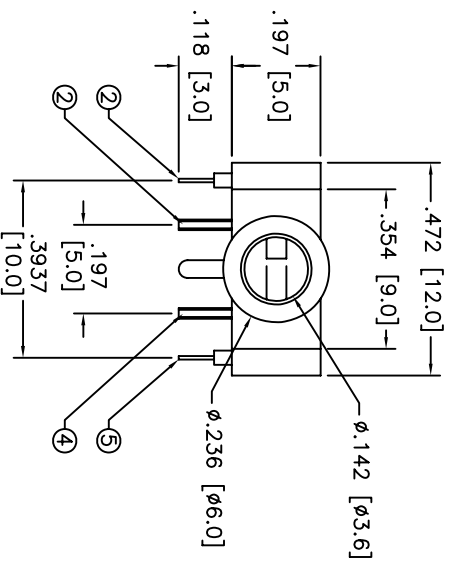


| Rev | AWO # | Description | Date | Appr |
|-----|-------|-------------|---------|------|
| - | | RELEASED | 6/25/07 | |

APPROVED: _____
 DATE: _____ TITLE: _____



| ASJ-1A-5 | ASJ-1A-4B | ASJ-1A-3 | ASJ-1A-3A |
|----------|-----------|----------|-----------|
| | | | |

SPECIFICATIONS:
Material:
 Insulator: Polybutylene Terephthalate (PBT), glass reinforced thermoplastic, rated UL 94V-0, Color: Black
 Bushing, Contacts, Shunt and Ground Terminals: Copper Alloy Plating:
 Bushing and Ground Terminals: 5 µin Nickel Plated
 Contacts and Shunt Terminals: 5 µin Tin Plated
Electrical:
 Operation voltage: 30 VDC
 Current rating: 0.5 Amps
 Contact resistance: 50 mΩ max
 Insulation resistance: 100 MΩ min at 500 VDC
 Dielectric withstanding voltage: 500V AC (RMS) for 1 minute
 Environmental:
 Operating temperature: -40°C to +85°C
 Lead free, RoHS compliant.
 Recommended soldering temp: 235°C for 5 sec.

UNLESS OTHERWISE SPECIFIED
 ALL DIMENSIONS ARE MM [INCHES]
 TOLERANCES: EXCEPT AS NOTED
 INCHES

| | | | |
|------|--------|-------|--------|
| .X | ± .10 | ØXX | ± .10 |
| .XX | ± .020 | ØXXX | ± .015 |
| .XXX | ± .015 | ØXXXX | ± .010 |

APPROVALS

| | | | |
|----------|----|------|---------|
| DRAWN | SS | DATE | 6/25/07 |
| CHECKED | | | |
| APPROVED | | | |

ADAM TECH
 909 Rahway Avenue, Union, NJ 07083
 Phone: 908-687-5000 Fax: 908-687-5710

TITLE: STEREO JACK, 3.5mm, WITH SWITCH



| | | |
|------|------------|--------------|
| SIZE | PART NO. | REV. |
| X | ASJ-1A-X | - |
| REF: | SCALE: NTS | SHEET 1 OF 1 |