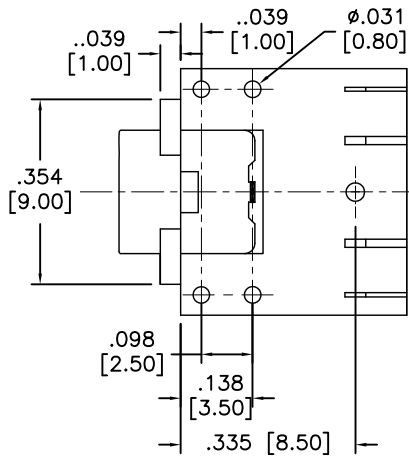
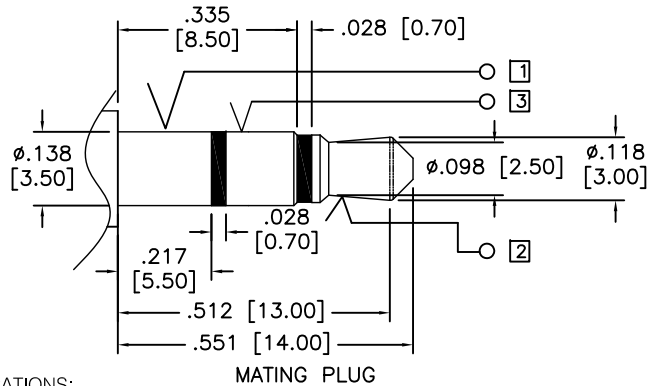
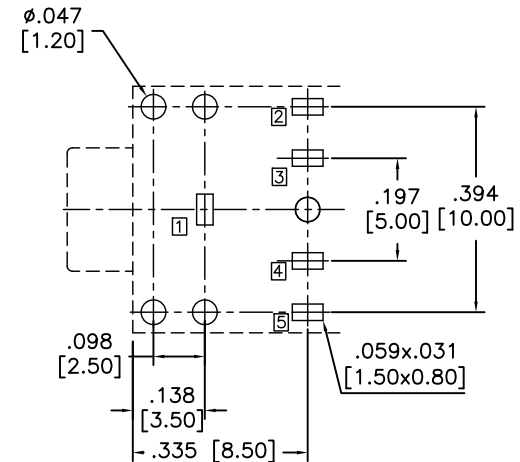
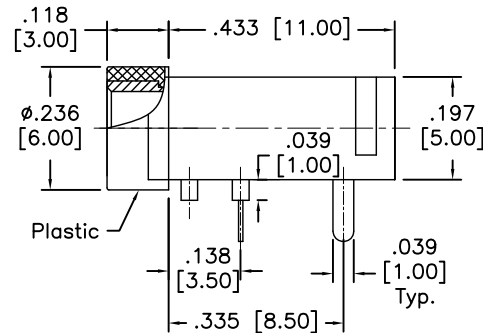
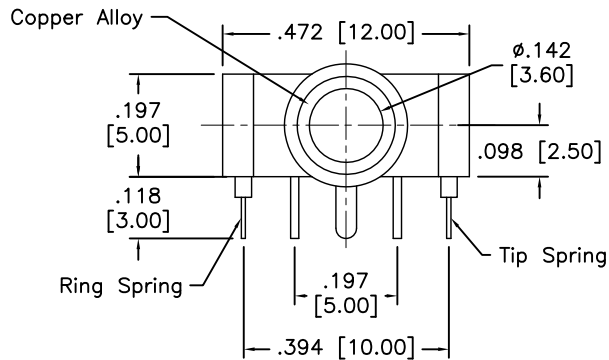


APPROVED: _____
 DATE: _____ TITLE: _____

Rev	AWO #	Description	Date	Appr
-		RELEASED	5/20/14	



RECOMMENDED PCB LAYOUT

SPECIFICATIONS:

Material:
 Insulator: PBT, rated UL 94V-0
 Insulator color: Black
 Tip Spring: Stainless steel, Tin plated
 Ring Spring: Stainless steel, Tin plated
 Contact: Brass, Tin plated
 Bushing: Copper Alloy, Nickel plated

Electrical:
 Operating voltage: 30 VDC max.
 Current rating: 0.5 Amp max.
 Contact resistance: 50 mohms max.
 Insulation resistance: 100 Mohms min.
 Dielectric withstanding voltage: 500 VAC for 1 minute

Mechanical:
 Insertion / Withdrawal Force: 3N ~ 30N.
 Life Test: 5,000 Cycles min.
 Temperature Rating:
 Operating temperature: -20°C to +70°C
 Environmental:
 Lead free, RoHS compliant.



MODEL NO	ASJ-1B-5	ASJ-1B-4B	ASJ-1B-3A	ASJ-1B-3
SCHEMATIC				

UNLESS OTHERWISE SPECIFIED ALL DIMENSIONS ARE INCHES [MM] TOLERANCES: EXCEPT AS NOTED		ADAM TECH 909 Rahway Avenue, Union, NJ 07083 Phone: 908-687-5000 Fax: 908-687-5710	
INCHES HOLES .X ± .10 Ø.X ± .10 .XX ± .020 Ø.XX ± .015 .XXX ± .015 Ø.XXX ± .010			
APPROVALS		TITLE	
DRAWN AY 5/20/14		STEREO PHONE JACK, 3.5mm	
CHECKED MC 5/20/14	SIZE X	PART NO. ASJ-1B-X	REV. -
APPROVED	REF: S00002C	SCALE: NTS	SHEET 1 OF 1