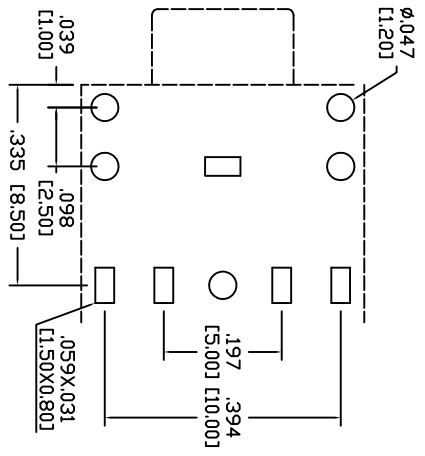
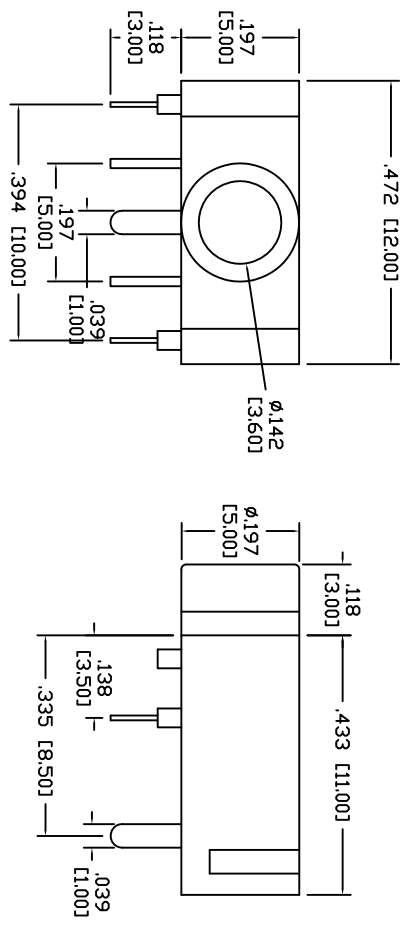
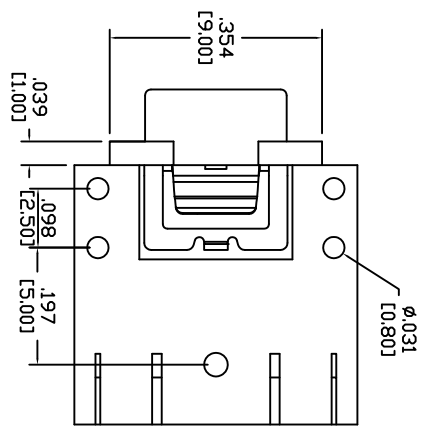


Rev	AWO #	Description	Date	Appr
-		RELEASED	2/07/09	

APPROVED: _____
 DATE: _____ TITLE: _____



RECOMMENDED PCB LAYOUT



PART NO.	ASSJ-1D-5	ASSJ-1D-4B	ASSJ-1D-3A	ASSJ-1D-3
SCHEMATIC				

SPECIFICATIONS:

Material: Insulator: PBT, Rated UL94V-0
 Insulator color: Black
 Contacts: Copper Alloy
 Plating: Tin over Copper underplate
 Electrical: Rating: DC 30V, 0.5A max.
 Contact Resistance: 50 mOhm Max
 Insulation Resistance: 100 Mohm Min@ DC 250V
 Dielectric Withstanding Voltage: 500V AC For 1 Minute.
 Environmental: Lead free, RoHS compliant.
 Recommended soldering temp: 235°C for 5 sec.

ADAM TECH

909 Rahway Avenue, Union, NJ 07083
 Phone: 908-687-5000 Fax: 908-687-5710

3.5MM STEREO PHONE JACK

UNLESS OTHERWISE SPECIFIED ALL DIMENSIONS ARE INCHES [MM] TOLERANCES: EXCEPT AS NOTED		TITLE	
INCHES	HOLES	909 RAHWAY AVENUE, UNION, NJ 07083	
.X ± .10	ØXX ± .10	PHONE: 908-687-5000 FAX: 908-687-5710	
.XX ± .020	ØXXX ± .015	3.5MM STEREO PHONE JACK	
.XXX ± .015	ØXXXX ± .010	DATE	
APPROVALS	DATE	SIZE	PART NO.
DRAWN DY	2/07/09	X	ASJ-1D-X
CHECKED CH	2/07/09	REF:	S00002C
APPROVED		SCALE:	NTS
		SHEET	1 OF 1

