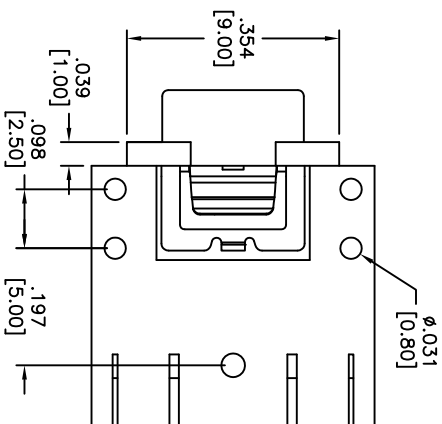
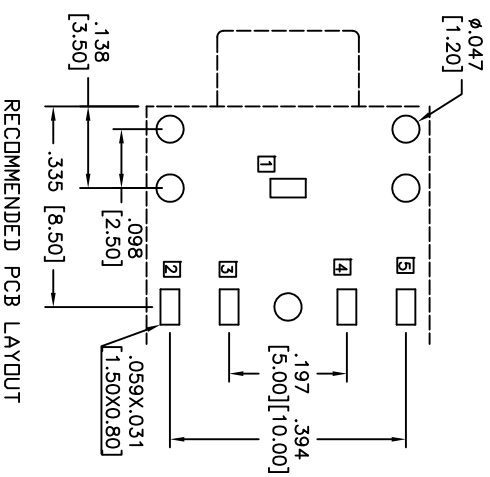
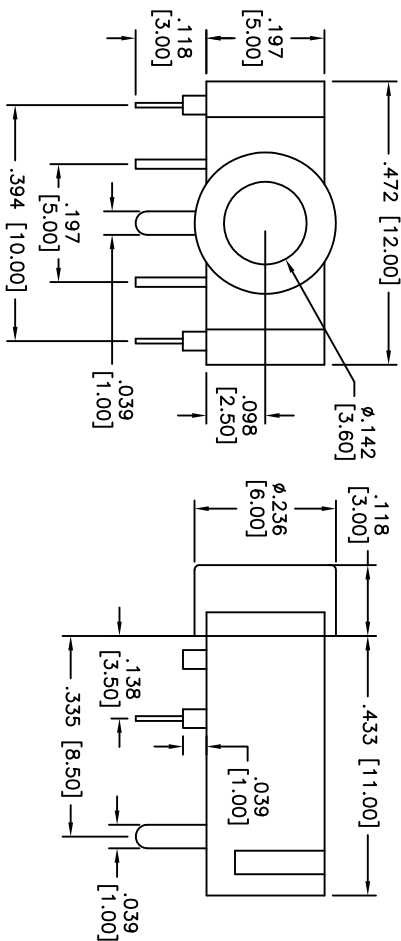


Rev	AWO #	Description	Date	Appr
-		RELEASED	7/29/10	

APPROVED: _____
 DATE: _____ TITLE: _____



ASU-1E-5	ASU-1E-4B	ASU-1E-3A	ASU-1E-3	ASU-1E-4A

SPECIFICATIONS:
 Material: Insulator: PBT, Rated UL94V-0
 Insulator color: Black
 Contacts: Copper Alloy
 Plating: Tin over Copper underplate
 Electrical: Rating: DC 30V, 0.5A max.
 Contact Resistance: 50 mOhm Max
 Insulation Resistance: 100 Mohm Min@ DC 250V
 Dielectric Withstanding Voltage: 500V AC For 1 Minute.
 Environmental: Lead free, RoHS compliant.
 Recommended soldering temp: 235°C for 5 sec.

ADAM TECH

909 Railway Avenue, Union, NJ 07083
 Phone: 908-687-5000 Fax: 908-687-5710

TITLE: 3.5MM STEREO PHONE JACK

UNLESS OTHERWISE SPECIFIED ALL DIMENSIONS ARE INCHES [MM]	
TOLERANCES: EXCEPT AS NOTED	
INCHES	HILES
.X ± .10	ØXX ± .10
.XX ± .020	ØXXX ± .015
.XXX ± .015	ØXXXX ± .010
APPROVALS	DATE
DRAWN DY	7/29/10
CHECKED	
APPROVED	

SIZE	PART NO.	REV.
X	ASU-1E-X	-
REF:	S00002C	SHEET 1 OF 1

