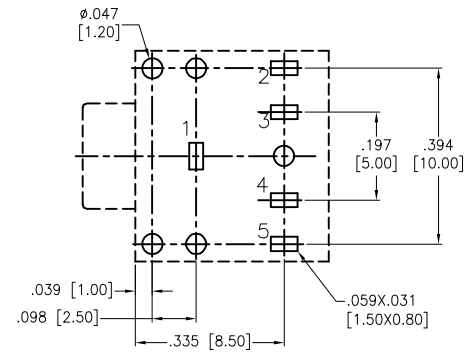
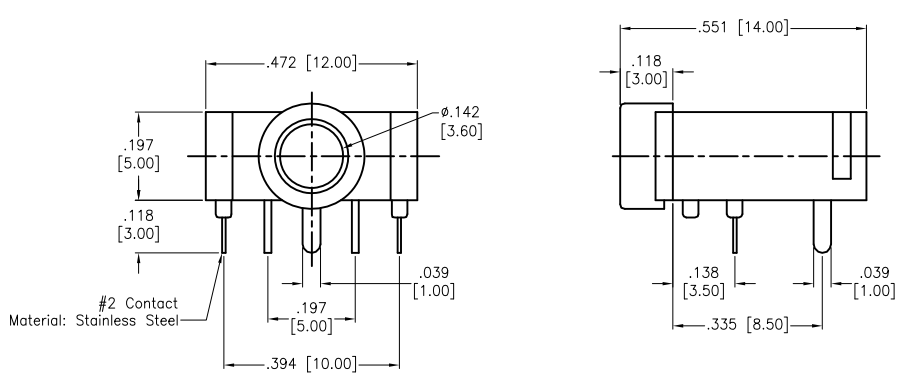
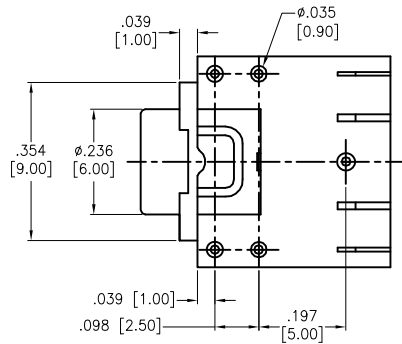


APPROVED: \_\_\_\_\_  
 DATE: \_\_\_\_\_ TITLE: \_\_\_\_\_

Rev	AWO #	Description	Date	Appr
-		RELEASED	3/25/15	



RECOMMENDED PCB LAYOUT



ASJ-1S-5	ASJ-1S-4B	ASJ-1S-4A	ASJ-1S-3	ASJ-1S-3A

**SPECIFICATIONS:**  
 Material:  
 Insulator: PBT, rated UL 94V-0  
 Insulator color: Black  
 Contact: Copper Alloy  
 #2 Contact: Stainless Steel  
 Plating:  
 Tin over Copper underplate overall  
 Electrical:  
 Rating: 30 VDC, 0.5A  
 Contact resistance: 30 mohms max  
 Insulation resistance: 100 Mohms min @ 250VDC  
 Dielectric withstanding voltage: 500 VAC  
 Environmental:  
 Lead free, RoHS compliant.



UNLESS OTHERWISE SPECIFIED ALL DIMENSIONS ARE INCHES [MM] TOLERANCES: EXCEPT AS NOTED		
INCHES		HOLES
.X ± .10	Ø.X ± .10	
.XX ± .020	Ø.XX ± .015	
.XXX ± .015	Ø.XXX ± .010	
APPROVALS		DATE
DRAWN	HR	3/25/15
CHECKED	NC	3/25/15
APPROVED		

**ADAM TECH**  
 909 Rahway Avenue, Union, NJ 07083  
 Phone: 908-687-5000 Fax: 908-687-5710

TITLE: **3.5MM AUDIO JACK**

SIZE <b>X</b>	PART NO. <b>ASJ-1S-X</b>	REV. -
REF: S00102C	SCALE: NTS	SHEET 1 OF 1