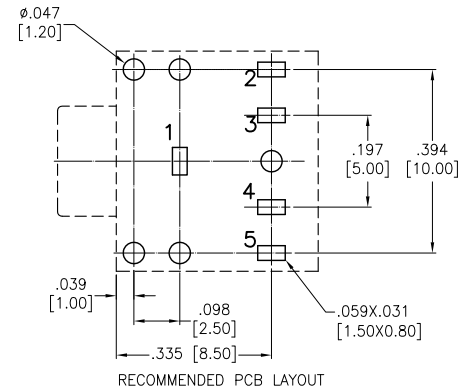
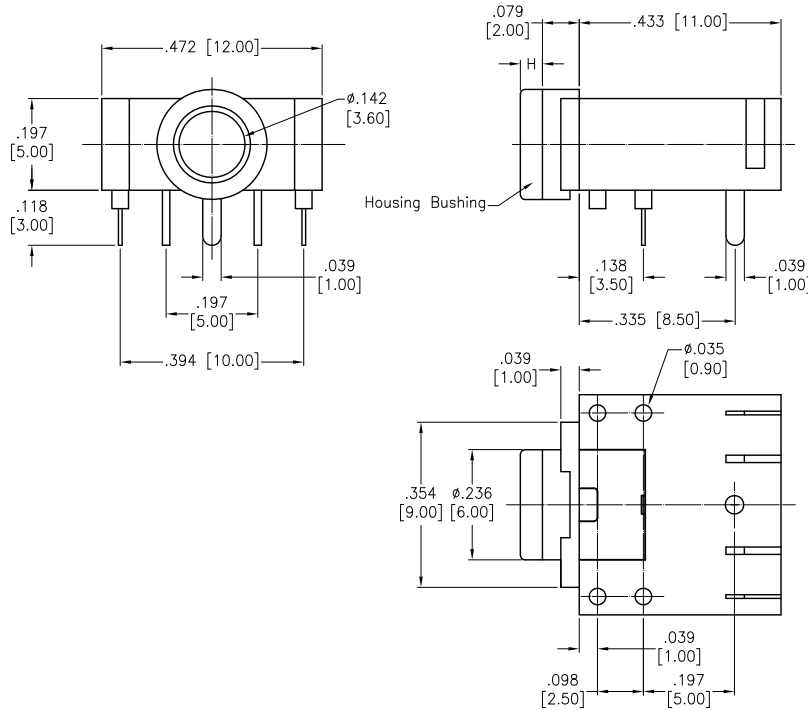


APPROVED: _____
 DATE: _____ TITLE: _____

Rev	AWO #	Description	Date	Appr
-		RELEASED	8/31/16	



ADAM P/N	Dim H
ASJ-1SA-X-B1	.039 [1.00]
ASJ-1SA-X-B2	.051 [1.30]

ASJ-1SA-5-BX	ASJ-1SA-4B-BX	ASJ-1SA-4A-BX	ASJ-1SA-3-BX	ASJ-1SA-3A-BX	ASJ-1SA-2-BX

SPECIFICATIONS:
 Material:
 Insulator: PBT, rated UL 94V-0
 Insulator color: Black
 Contact: Copper Alloy
 Housing Bushing: Brass, Nickel plated
 Plating:
 Tin over Copper underplate overall
 Electrical:
 Rating: 30 VDC, 0.5A
 Contact resistance: 30 mohms max
 Insulation resistance: 100 Mohms min @ 250VDC
 Dielectric withstanding voltage: 500 VAC
 Environmental:
 Lead free, RoHS compliant.



UNLESS OTHERWISE SPECIFIED
 ALL DIMENSIONS ARE INCHES [MM]
 TOLERANCES: EXCEPT AS NOTED

INCHES		HOLES	
.X	± .10	Ø.X	± .10
.XX	± .020	Ø.XX	± .015
.XXX	± .015	Ø.XXX	± .010

ADAM TECH

909 Rahway Avenue, Union, NJ 07083
 Phone: 908-687-5000 Fax: 908-687-5710

APPROVALS		DATE
DRAWN	AY	8/31/16
CHECKED	LW	8/31/16
APPROVED		

TITLE		
3.5MM AUDIO JACK		
SIZE	PART NO.	REV.
X	ASJ-1SA-X-BX	-
REF: S00102C	SCALE: NTS	SHEET 1 OF 1