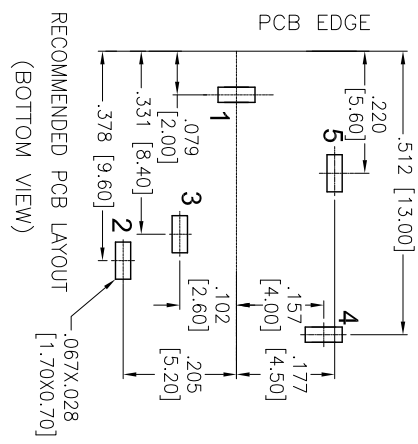
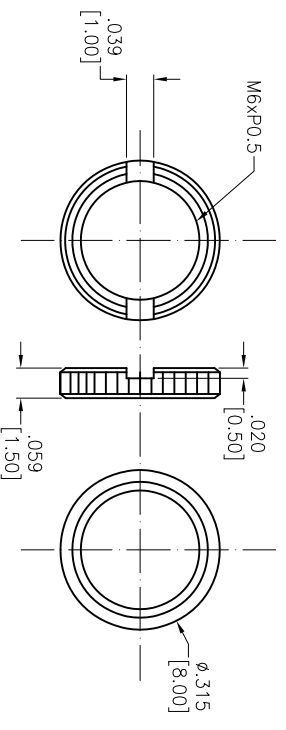
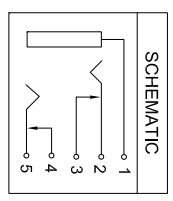
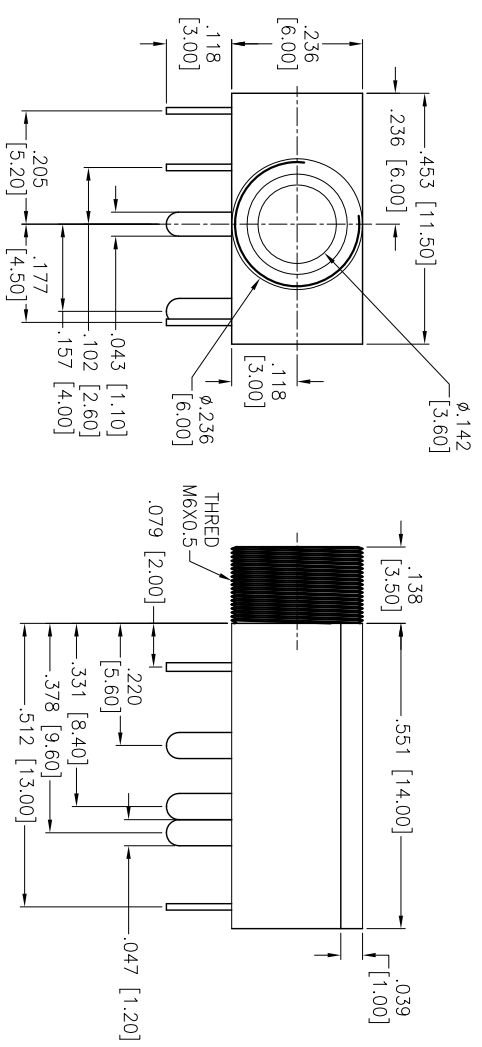


APPROVED: _____
 DATE: _____ TITLE: _____

Rev	AWO #	Description	Date	Appr
-		RELEASED	12/3/13	
A		UPDATED DRAWING	1/14/15	HR/GC



SPECIFICATIONS:
 Material: Insulator: PBT, Glass reinforced, rated UL 94V-0
 Insulator color: Black
 Cover: P.C., Transparent
 Bushing: Copper Alloy, Nickel plated
 Terminal: Copper Alloy
 Spring: Stainless steel, Nature
 Nut: Brass, Nickel plated
 Plating:
 Tin over Copper underplate

Electrical:
 Voltage & Current rating: 12 VDC, 2A, 100 VAC, 1A max.
 Contact resistance: 30 mohms max @100mA max, 1KHz.
 Dielectric withstanding voltage: 500 VAC for 1 minute

Environmental:
 Lead free, RoHS compliant.

UNLESS OTHERWISE SPECIFIED ALL DIMENSIONS ARE INCHES [MM]	
TOLERANCES: EXCEPT AS NOTED	
INCHES	HOLDS
.X ± .10	± .10
.XX ± .020	± .015
.XXX ± .015	± .010
APPROVALS	DATE
DRAWN AY	12/3/13
CHECKED NP	12/3/13
APPROVED	

ADAM TECH
 909 Railway Avenue, Union, NJ 07083
 Phone: 908-687-5000 Fax: 908-687-5710

TITLE: 3.5MM EARPHONE JACK, FLAT 5PIN DIP
 M6 x 0.5 THREADED BUSHING

SIZE: X PART NO.: ASJ-37A-5-M
 REF: S00095T SCALE: NTS SHEET 1 OF 1

