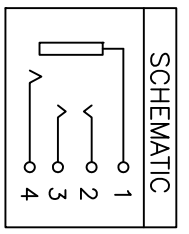
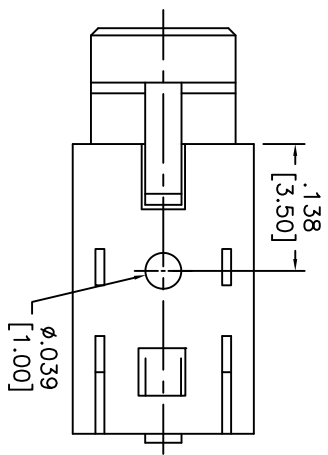
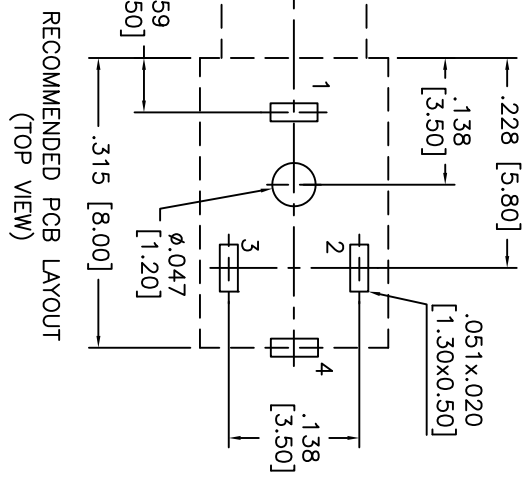
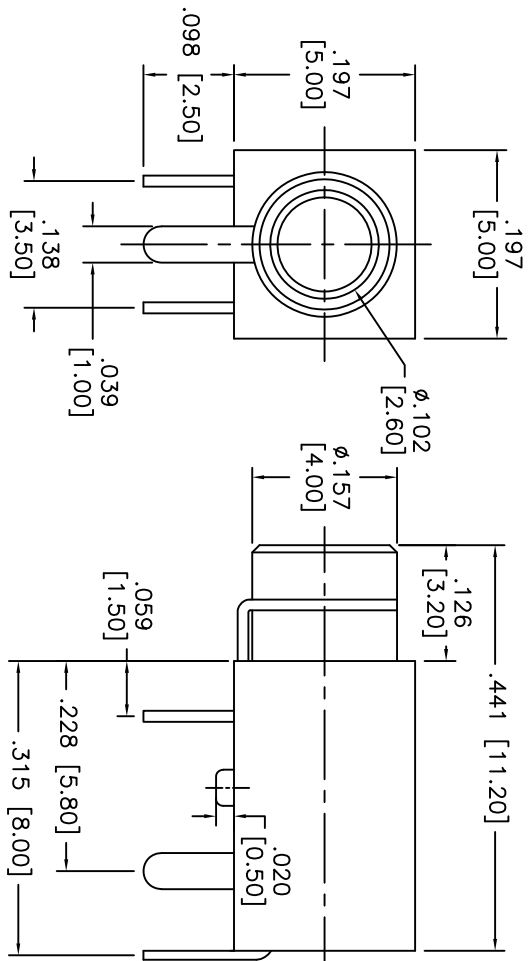


Rev	AWO #	Description	Date	Appr
-		RELEASED	6/07/10	

APPROVED: \_\_\_\_\_  
 DATE: \_\_\_\_\_ TITLE: \_\_\_\_\_



**SPECIFICATIONS:**

Material: Insulator: PBT, rated UL 94V-0  
 Insulator color: Black  
 Contacts: Bronze, Tin plated.  
 Electrical:  
 Rated Voltage & Current: DC 30V, 1A  
 Contact resistance: 30 mohms max.  
 Insulation resistance: 100 Mohms min.  
 Dielectric withstanding voltage: 500 VAC for 1 minute  
 Temperature Rating:  
 Operating temperature: -25°C to +70°C  
 Environmental:  
 Lead free, RoHS compliant.  
 Recommended soldering temp: 235°C for 5 sec.



UNLESS OTHERWISE SPECIFIED  
 ALL DIMENSIONS ARE IN INCHES [MM]  
 TOLERANCES: EXCEPT AS NOTED  
 INCHES Holes

.X	± .10	$\phi$ X	± .10
.XX	± .020	$\phi$ XXX	± .015
.XXX	± .015	$\phi$ XXXX	± .010

APPROVALS

DRAWN	DY	DATE	6/07/10
CHECKED			
APPROVED			

**ADAM TECH**

909 Railway Avenue, Union, NJ 07083  
 Phone: 908-687-5000 Fax: 908-687-5710

TITLE  
**2.5MM STEREO PHONE JACK**

SIZE	PART NO.	REV.
X	ASJ-4-3S	-
REF: S00030C	SCALE: NTS	SHEET 1 OF 1