

6

5

4

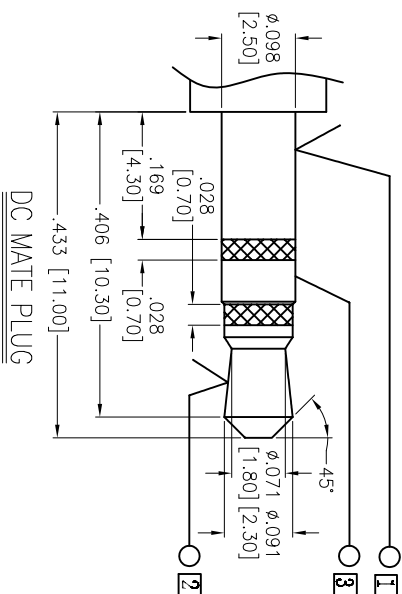
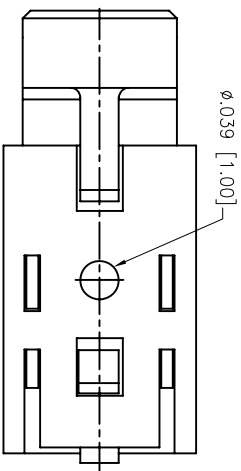
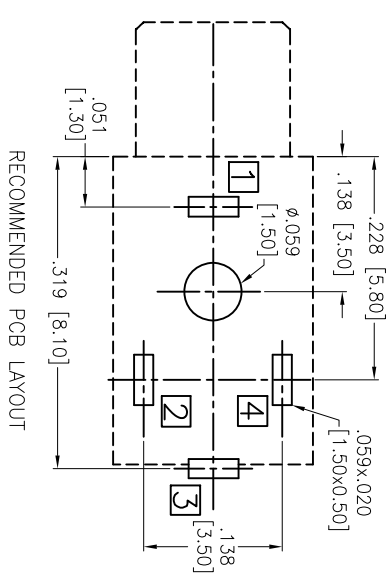
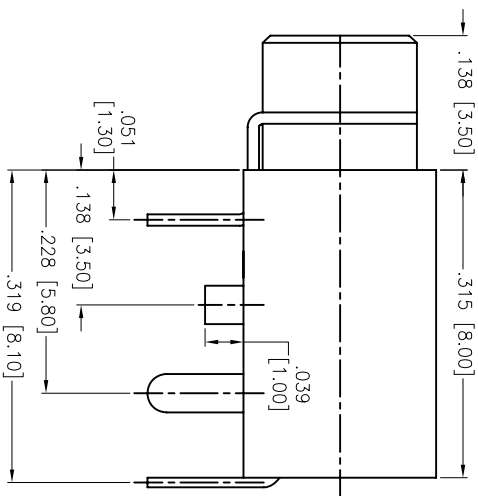
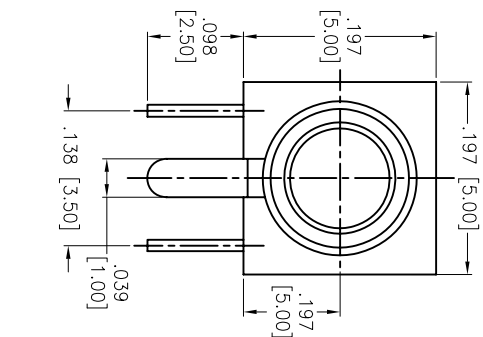
3

2

1

APPROVED: _____
DATE: _____ TITLE: _____

Rev	AWO #	Description	Date	Appr
-		RELEASED	9/17/10	
A		REDRAWN	11/12/12	



ADAM P/N	ASJ-4-3S	ASJ-4-3B
SCHEMATIC		

UNLESS OTHERWISE SPECIFIED
ALL DIMENSIONS ARE IN INCHES [MM]
TOLERANCES: EXCEPT AS NOTED
INCHES
HOLDS
X ± .10
.XX ± .020
.XXX ± .015
DATE

APPROVALS
DRAWN AY 9/17/10
CHECKED VW 9/17/10
APPROVED

ADAM TECH
909 Rahway Avenue, Union, NJ 07083
Phone: 908-687-5000 Fax: 908-687-5710

2.5MM STEREO PHONE JACK

SIZE PART NO. ASJ-4-XX
SCALE: NTS SHEET 1 OF 1
REV. A

SPECIFICATIONS:

Material:
Insulator: PA66, rated UL 94V-0
Insulator color: Black
Bushing: Brass, Nickel plated
Contacts: Phosphor Bronze, Tin plated.
Electrical:
Rated Voltage & Current: DC 30V, 0.5A
Contact resistance: 30 mohms max.
Insulation resistance: 100 Mohms min.
Dielectric withstanding voltage: 500 VAC for 1 minute
Environmental:
Lead free, RoHS compliant.



A

B

C

D

A

B

C

D

6

5

4

3

2

1

A