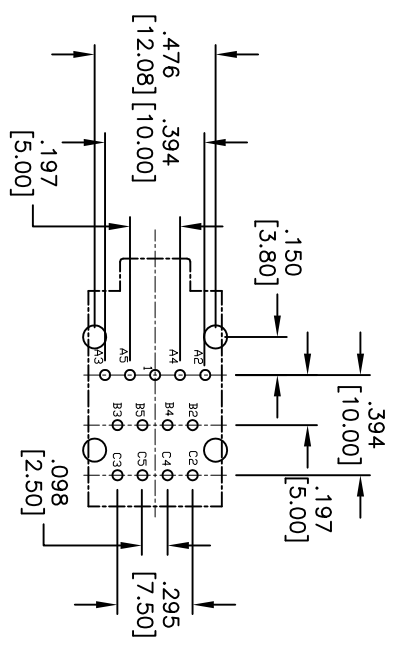
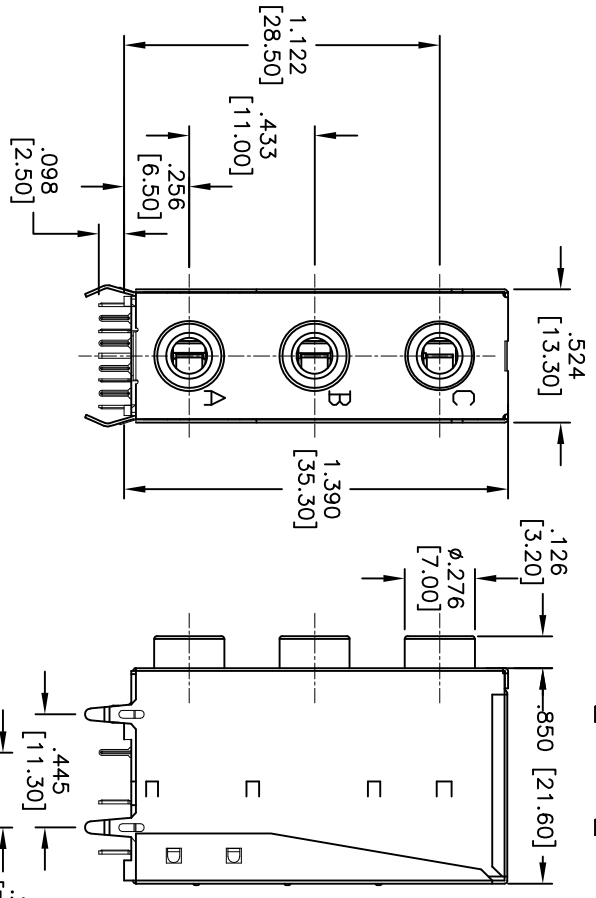
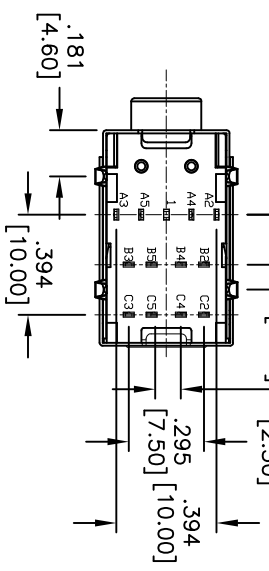
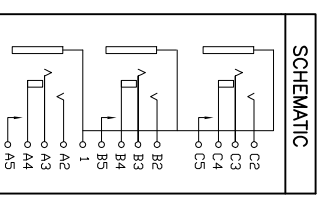


APPROVED: _____
 DATE: _____ TITLE: _____

Rev	AWO #	Description	Date	Appr
-		RELEASED	3/10/08	
A		REDRAWN	9/02/10	
B		REDRAWN	3/19/12	
C		REVISED SHAPE	3/30/12	
D		REVISED LAYOUT	2/19/13	
E		REDRAWN	4/18/13	



RECOMMENDED PCB LAYOUT
 BOTTOM VIEW



SPECIFICATIONS:

- Material: Insulator: PBT, Glass reinforced, rated UL 94V-0
- Insulator Color: Black
- Shield: SPCC, Tin plated
- Cover: PBT, Color: Black
- Back Cover: SPCC, Tin plated
- A Jack: Color: Pink color 701C
- B Jack: Color: Green color 577C
- C Jack: Color: Light Blue color 284C
- Terminal: Copper Alloy
- Plating: Tin over Copper underplate

- Electrical: Operating voltage: 30 VDC.
- Current rating: 0.5 Amp max.
- Contact resistance: 30 mohms max. initial
- Insulation resistance: 100 Mohms min.
- Dielectric withstanding voltage: 500 VAC for 1 minute
- Temperature Rating: Operating temperature: -20°C to +70°C
- Environmental: Lead free, RoHS compliant.

UNLESS OTHERWISE SPECIFIED
 ALL DIMENSIONS ARE INCHES [MM]
 TOLERANCES: EXCEPT AS NOTED
 INCHES HOLES ±.10 ±.015 ±.010
 .XX ±.020 ØXX ±.015
 .XXX ±.015 ØXXX ±.010

ADAM TECH
 909 Rahway Avenue, Union, NJ 07083
 Phone: 908-687-5000 Fax: 908-687-5710

APPROVALS	DATE
DRAWN SS	3/10/08
CHECKED	
APPROVED	

SIZE	PART NO.	REV.
X	AS1-41-5	E
REF: S0002C	SCALE: NTS	SHEET 1 OF 1



3.5mm TRIPPLE STACK EARPHONE JACK