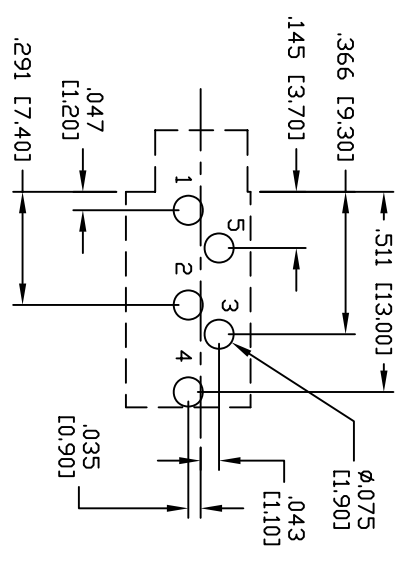
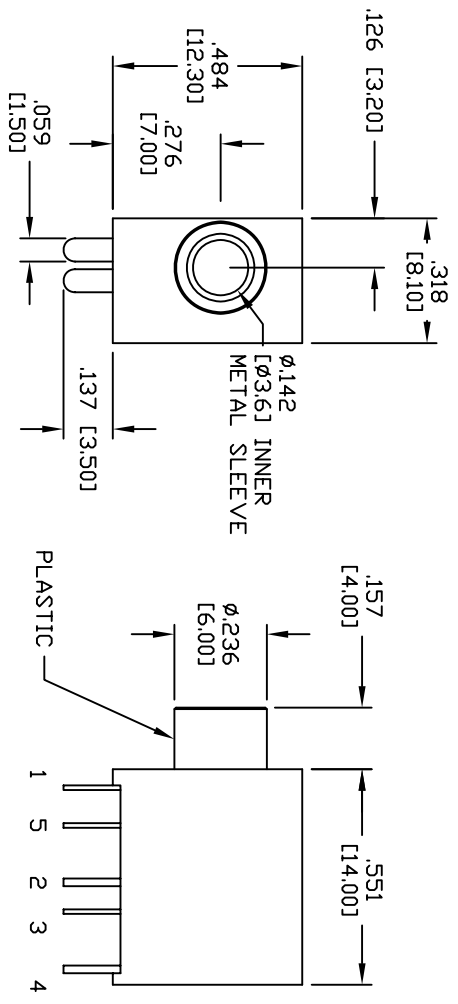


APPROVED: \_\_\_\_\_  
 DATE: \_\_\_\_\_ TITLE: \_\_\_\_\_

Rev	AWO #	Description	Date	Appr
-	5952	RELEASED	12/20/05	
A		UPDATED PLATING TO TIN	2/9/06	

CONTACT FORM	FORM 3	FORM 3A	FORM 4B	FORM 5
SCHEMATIC				



RECOMMENDED PCB LAYOUT

**SPECIFICATIONS:**

- Material: Insulator: Hi-Temp Thermo plastic, rated UL 94V-0
- Insulator color: Lime Green
- Contacts: Brass
- Plating: Contact: Tin over Nickel underplate
- Terminal: Tin over Nickel underplate
- Electrical: Operating voltage: 12 VDC max.
- Current rating: 1 Amp max.
- Contact resistance: 30 mohms max. initial
- Insulation resistance: 100 Mohms min.
- Dielectric withstanding voltage: 500 VAC for 1 minute
- Temperature Rating: Operating temperature: -65°C to +125°C
- Environmental: Lead free, RoHS compliant.
- Recommended soldering temp: 260°C for 5 sec.



UNLESS OTHERWISE SPECIFIED ALL DIMENSIONS ARE INCHES [MM]	
TOLERANCES: EXCEPT AS NOTED	
INCHES	HOLES
.X ± .10	$\phi$ X ± .10
.XX ± .020	$\phi$ XX ± .015
.XXX ± .015	$\phi$ XXX ± .010
APPROVALS	DATE
DRAWN	SS
CHECKED	
APPROVED	

**ADAM TECH**  
 909 Rahway Avenue, Union, NJ 07083  
 Phone: 908-687-5000 Fax: 908-687-5710

TITLE: STEREO JACK, 3.5MM, RIGHT ANGLE  
 COLOR LIME GREEN, HI-TEMP, PLASTIC

SIZE: X PART NO.: ASL-5-X-AP-LM-HT

SCALE: NTS SHEET 1 OF 1