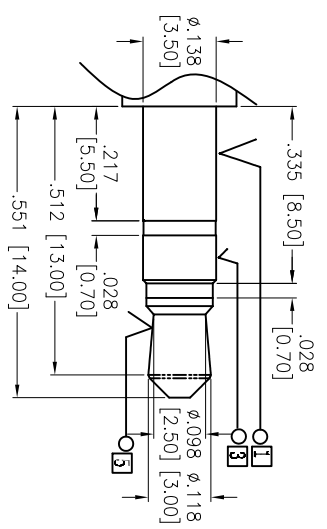
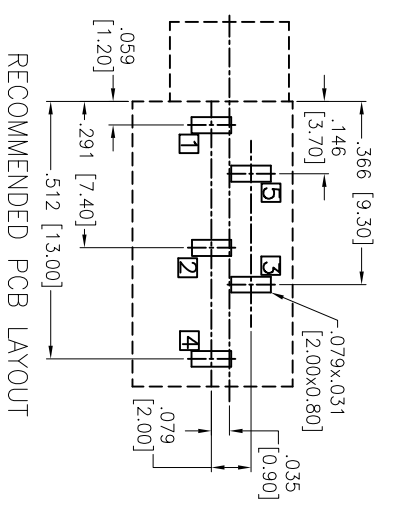
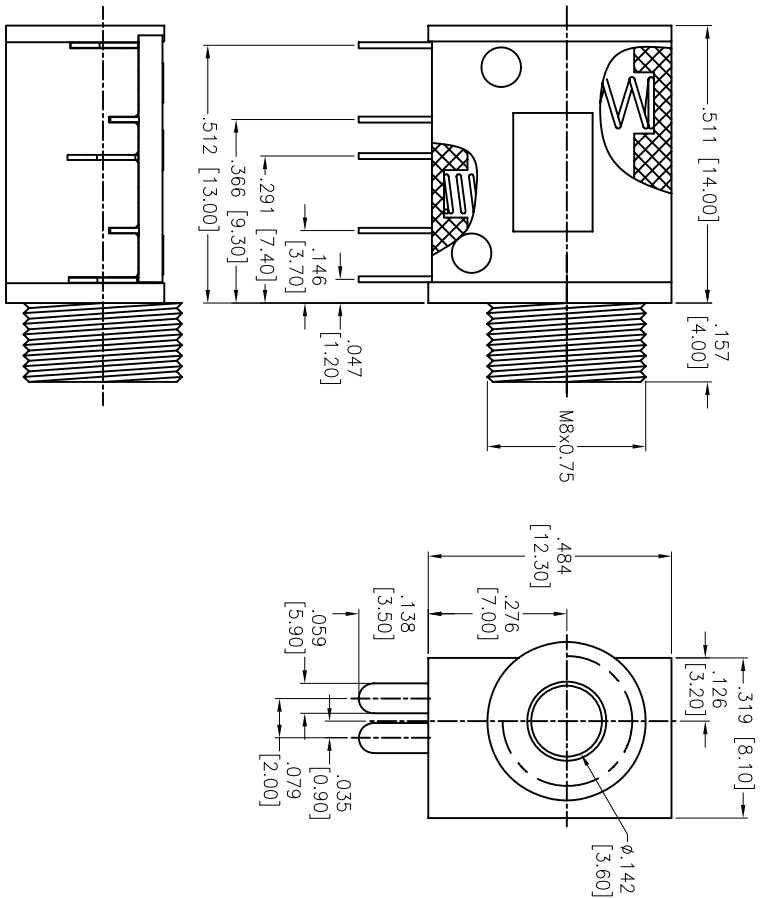


Rev	AWO #	Description	Date	Appr
-		RELEASED	12/28/11	

APPROVED: _____
 DATE: _____ TITLE: _____



CONTACT FORM	ASJ-5-5-M8	ASJ-5-4B-M8	ASJ-5-3A-M8	ASJ-5-3-M8	ASJ-5-2-M8	ASJ-5-4-M8
SCHEMATIC						

SPECIFICATIONS:
 Material: Insulator: PBT, rated UL 94V-0
 Insulator color: Black
 Bushing: Copper Alloy, Nickel plated
 Earth spring: Brass
 Tip spring: Phosphor Bronze, Nickel plated
 Ring spring: Phosphor Bronze, Silver plated
 Contact: Brass
 Plating:
 Tin plating over Copper underplate
 Electrical:
 Operating voltage: 30 VDC max
 Current rating: 0.5 Amps max
 Contact resistance: 30 Mohms max
 Insulation resistance: 100 Mohms min @ 500 VDC
 Dielectric withstanding voltage: 500 VAC for 1 minute
 Temperature Rating:
 Operating temperature: -20°C to +70°C
 Environmental:
 Lead free, RoHS compliant.
 Recommended soldering temp: 235°C for 5 sec.

ADAM TECH
 909 Railway Avenue, Union, NJ 07083
 Phone: 908-687-5000 Fax: 908-687-5710

TITLE: STEREO JACK, RIGHT ANGLE, PCB MOUNT

UNLESS OTHERWISE SPECIFIED ALL DIMENSIONS ARE INCHES [MM] TOLERANCES: EXCEPT AS NOTED	INCHES	HOLE SIZES	DATE	SIZE	PART NO.	SCALE	SHEET	REV.
.X ± .10	ØXX ± .10	ØXXX ± .015	12/28/11	X	ASJ-5-X-M8	NIS	1 OF 1	-
.XX ± .020	ØXXX ± .015	ØXXX ± .010	12/28/11	X	ASJ-5-X-M8	NIS	1 OF 1	-
.XXX ± .015	ØXXX ± .010	ØXXX ± .010	12/28/11	X	ASJ-5-X-M8	NIS	1 OF 1	-
APPROVALS	DATE	DATE	DATE	DATE	DATE	DATE	DATE	DATE
DRAWN TW	12/28/11	12/28/11	12/28/11	12/28/11	12/28/11	12/28/11	12/28/11	12/28/11
CHECKED AY	12/28/11	12/28/11	12/28/11	12/28/11	12/28/11	12/28/11	12/28/11	12/28/11
APPROVED								

