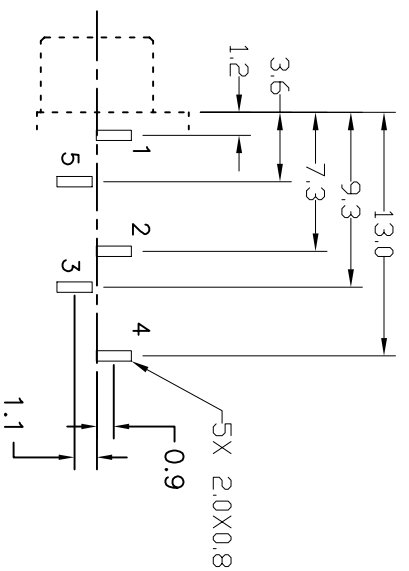
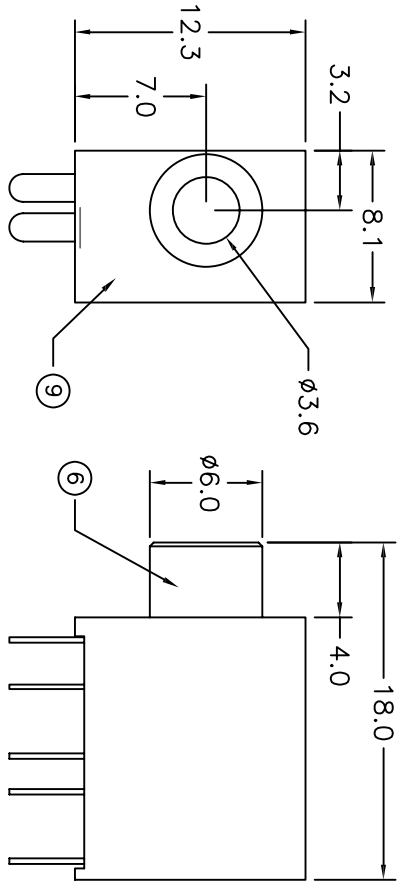


APPROVED: \_\_\_\_\_  
 DATE: \_\_\_\_\_ TITLE: \_\_\_\_\_

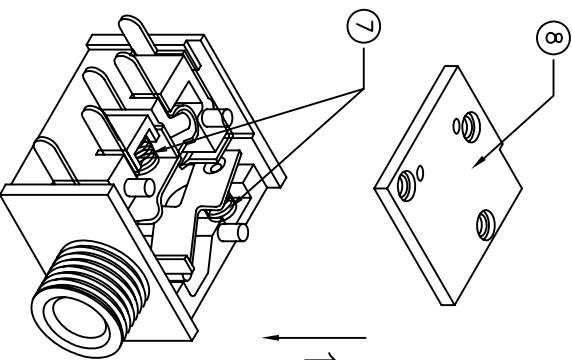
Rev	AWO #	Description	Date	Appr
-		Released	3/3/06	



P.C.B. LAYOUT  
(BOTTOM VIEW)

THREAD:M6.0-0.5  
 BLACK COVER OR TRANSPARENT COVER IS AVAILABLE

SCHEMATIC	ASJ-5-5-HT	ASJ-5-4-HT	ASJ-5-4B-HT	ASJ-5-3-HT	ASJ-5-3A-HT	ASJ-5-2-HT
NON THREAD BLACK COVER	ASJ-5-5-HT	ASJ-5-4-HT	ASJ-5-4B-HT	ASJ-5-3-HT	ASJ-5-3A-HT	ASJ-5-2-HT
THREAD BLACK COVER	ASJ-5-5-M-HT	ASJ-5-4-M-HT	ASJ-5-4B-M-HT	ASJ-5-3-M-HT	ASJ-5-3A-M-HT	ASJ-5-2-M-HT
NON THREAD TRANSPARENT COVER	ASJ-5-5-C-HT	ASJ-5-4-C-HT	ASJ-5-4B-C-HT	ASJ-5-3-C-HT	ASJ-5-3A-C-HT	ASJ-5-2-C-HT
THREAD TRANSPARENT COVER	ASJ-5-5-M-C-HT	ASJ-5-4-M-C-HT	ASJ-5-4B-M-C-HT	ASJ-5-3-M-C-HT	ASJ-5-3A-M-C-HT	ASJ-5-2-M-C-HT



Environmental:  
 Lead free, RoHS compliant.  
 Recommended soldering temp: 260 for 5 sec.



ITEM	NAME	MATERIAL	FINISH	SUM
9	Housing	HI-Temp Thermo Plastic, UL 94V-0		1
8	Cover	HI-Temp Thermo Plastic, UL 94V-0		1
7	Springs	SWC	Nickel Plated	2
6	Bushing	Brass	Nickel Plated	1
5	Tip Terminal	Phosphor Bronze	Tin Plated	1
4	TS Terminal	Brass	Tin Plated	1
3	RS Terminal	Brass	Tin Plated	1
2	Ring Terminal	Phosphor Bronze	Tin Plated	1
1	Sleeve Terminal	Brass	Tin Plated	1

UNLESS OTHERWISE SPECIFIED  
 ALL DIMENSIONS ARE MM [INCHES]  
 TOLERANCES: EXCEPT AS NOTED  
 INCHES

.X	± .10	ØX	± .10
.XX	± .020	ØXX	± .015
.XXX	± .015	ØXXX	± .010

APPROVALS: \_\_\_\_\_ DATE: \_\_\_\_\_  
 DRAWN: \_\_\_\_\_ SLS: \_\_\_\_\_ 3/3/06  
 CHECKED: \_\_\_\_\_  
 APPROVED: \_\_\_\_\_

ADAM TECH  
 909 Rahway Avenue, Union, NJ 07083  
 Phone: 908-687-5000 Fax: 908-687-5710

TITLE: STEREO JACK, RIGHT ANGLE, PCB MOUNT

SIZE: X PART NO.: ASJ-5-XX-HT  
 REF: SCALE: NTS SHEET 1 OF 1